

M60/22 - Mining heavy duty air-hydraulic jack

Jack designed for use with mining equipment.



Capacity: 60/30 t
66.1/33.1 ton

Net weight: 94 Kg
207 lb

Working air pressure: 10-12 bar
145-174 psi

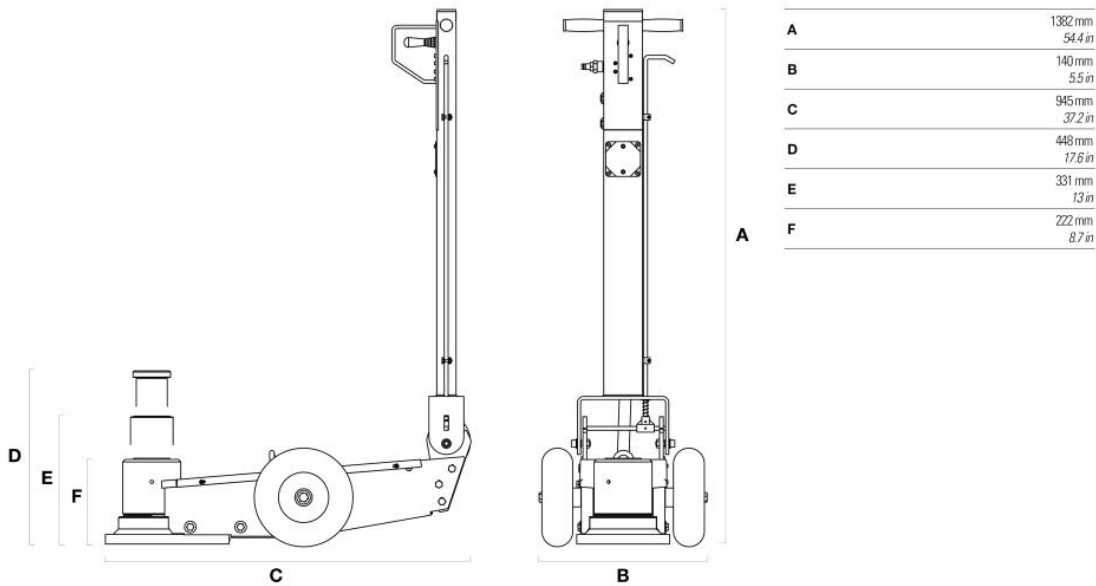
Air consumption: 600 nl/min

Stroke: 335 mm
13.2 in

Min. height: 222 mm
8.7 in

Number of pistons: 2

Pistons stroke: 109 - 226 mm
4.3 - 8.9 in



Compatible accessories:

Cattini

Oleopneumatic Remote Control



Extension A04405

Copyright © 2022 Cattini Oleopneumatica S.r.l. - P.IVA: IT01826640359

Ph. (+39) 0522 909750 - www.cattini.eu



Extension A02432



Extension A02434



Extension A02436



Plate A04492



Extension holder A06053



Extension holder A06054