

M80/42 - Mining heavy duty air-hydraulic jack

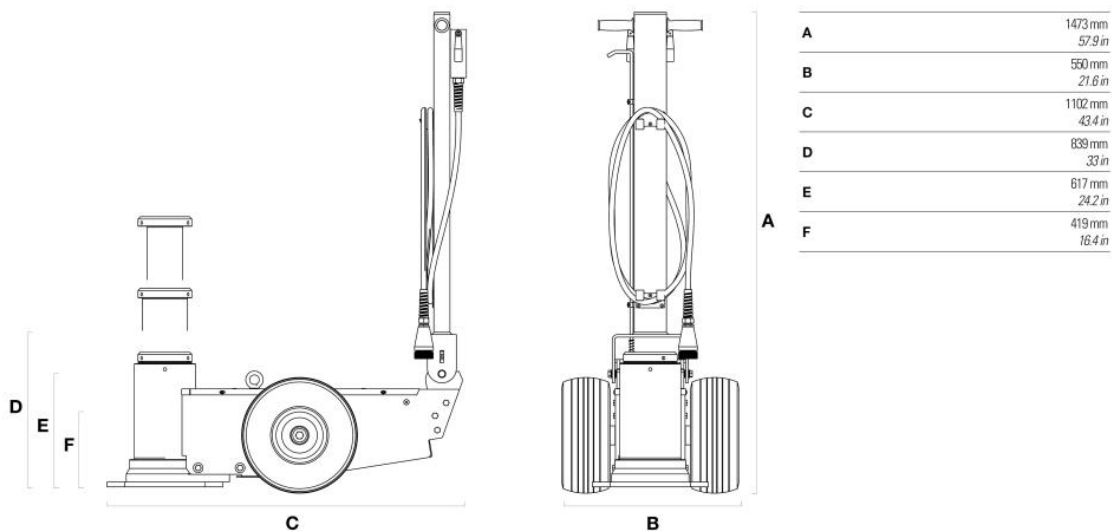
Jack designed for use with mining equipment.

M80/42 main features:

- ▶ Light, compact, easy to handle
- ▶ Folding handle
- ▶ Equipped with remote control
- ▶ Pneumatic tyres for any surface



Capacity:	80/50 t 88.2/55.1 ton
Net weight:	145 Kg 320 lb
Working air pressure:	10-12 bar 145-174 psi
Air consumption:	600 nl/min
Stroke:	420 mm 16.5 in
Min. height:	419 mm 16.5 in
Number of pistons:	2
Pistons stroke:	198 - 222 mm 7.8 - 8.7 in



Compatible accessories:



Safety locking device kit A00790



Extension A04405



Extension A02432



Extension A02434



Extension A02436



Plate A04492



Extension holder A06053



Extension holder A06054