

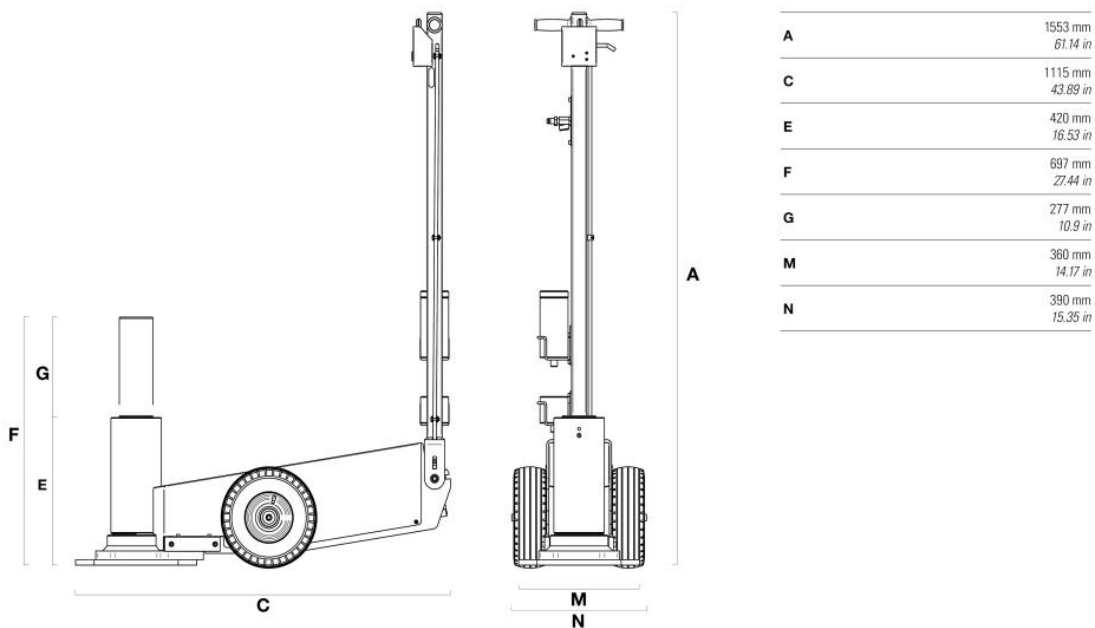
YAK 142 - Air hydraulic jack

Air hydraulic jacks for heavy vehicles, practical and effective. The pistons move back automatically; the two descent valves guarantee perfect holding in all situations and controlled speed under load.

YAK 142 is ideal for agricultural and public works vehicles. Fitted with roll-over protection plate and, on request, pneumatic wheels for working on particular difficult terrain.



Capacity:	50 t 55.1 ton
Net weight:	128 Kg 282 lb
Working air pressure:	8-10 bar 116-145 psi
Air consumption:	600 nl/min
Stroke:	277 mm 10.9 in
Min. height:	420 mm 16.5 in
Number of pistons:	1
Pistons stroke:	277 mm 10.9 in



Compatible accessories:



Pneumatic wheels A00502



Plate A00873



Plate A02361



Extension A02417



Extension A02419