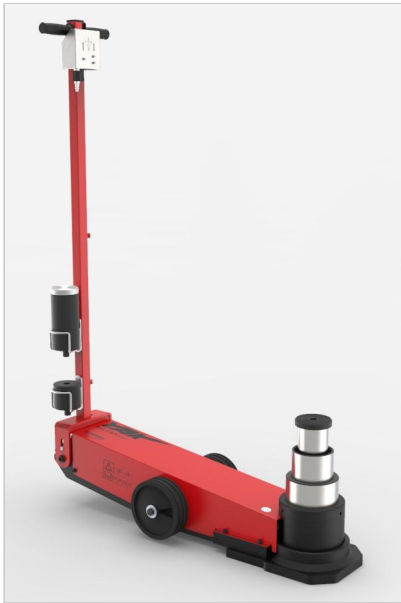


# YAK 318/S - Air hydraulic jack

Air hydraulic jack for heavy vehicles, practical and effective. The pistons move back automatically; the two descent valves guarantee perfect holding in all situations and controlled speed under load. A complete range of jacks for all stroke and capacity requirements.

Ideal for workshops, tyre repairers and bodywork shops.



Capacity: 80/50/25 t  
88.2/55.1/27.6 ton

Net weight: 69 Kg  
152 lb

Working air pressure: 8-10 bar  
116-145 psi

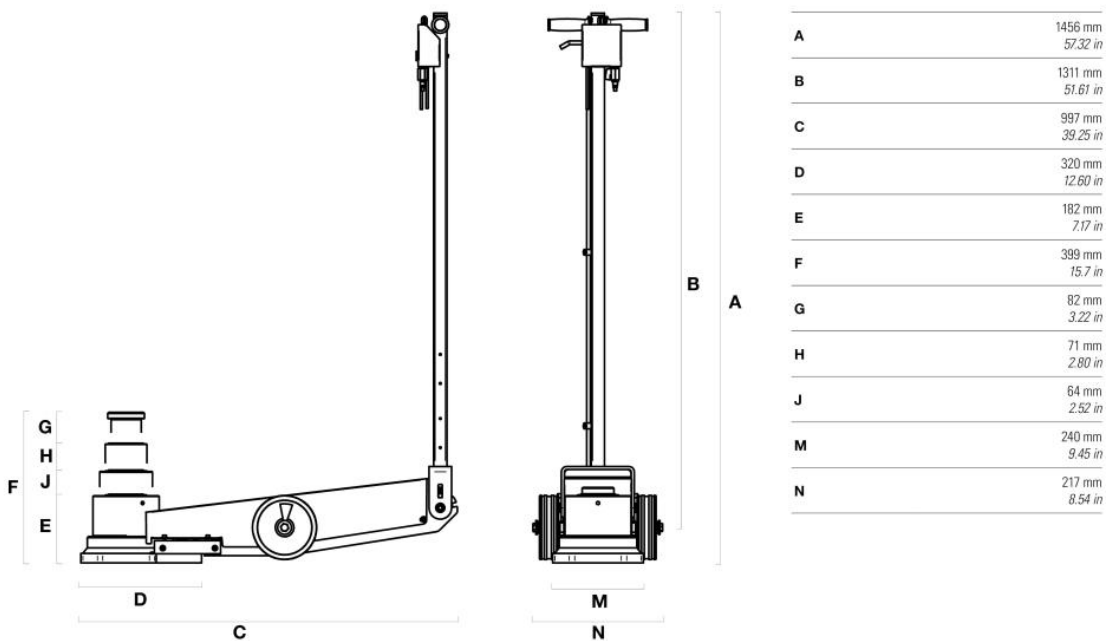
Air consumption: 600 nl/min

Stroke: 217 mm  
8.5 in

Min. height: 182 mm  
7.2 in

Number of pistons: 3

Pistons stroke: 64 - 71 - 82 mm  
2.5 - 2.8 - 3.2 in



Compatible accessories:



Plate A07255



Plate A00873



Plate A00875



Plate A02361



Extension A02417



Extension A02419



Extension A02448



Extension A02450



Pneumatic wheels A00496