

CATALOGO RICAMBI ORIGINALI - ORIGINAL SPARE PARTS

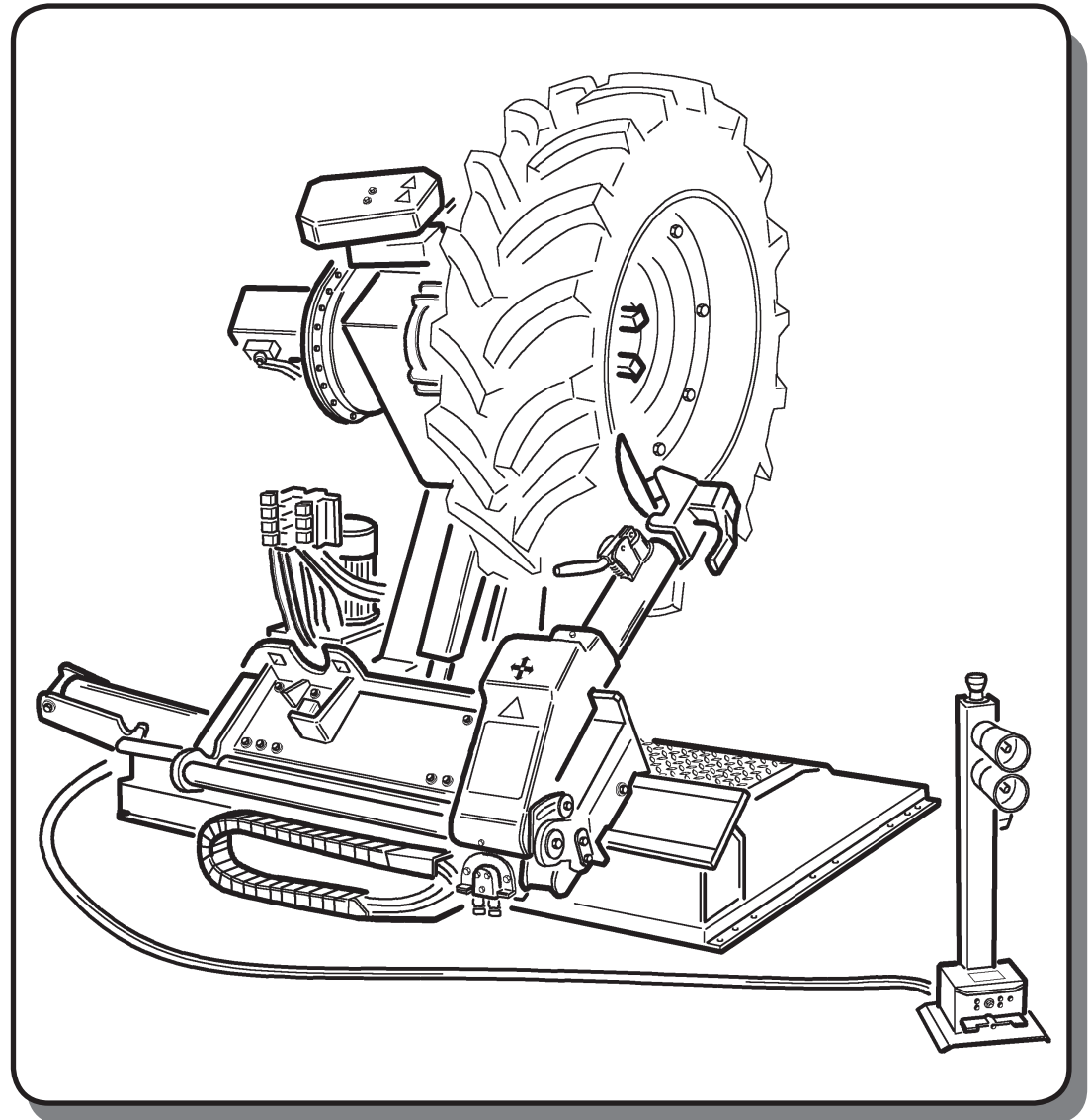
CATALOGUE PIECES D'ORIGINE - ORIGINALSATZTEILE

Ed. 01/2017

del 24/01/2017

Cod. 3019172

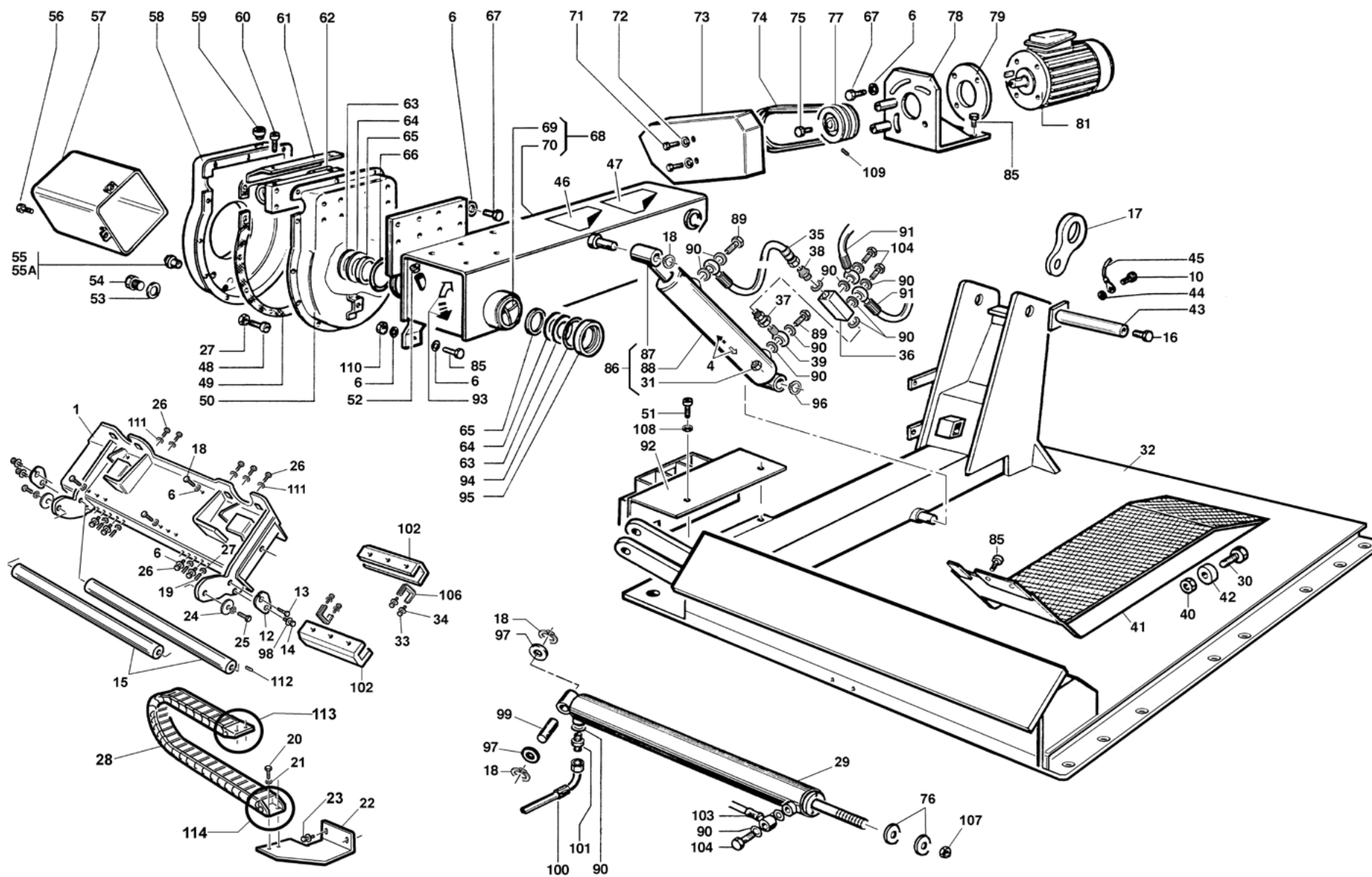
RGU56E.XLA



TELAIO - CHÂSSIS - FRAME - RAHMEN

ED. 01/17

TAV. 1.0



TELAIO - CHÂSSIS - FRAME - RAHMEN

ED. 01/17

TAV. 1.0

Ref	Codart	Descrizione	Description	Description	Beschreibung
1	2131198	CARRELLO COMPL.-BLU RAL 5015	CHARIOT COMPLET	SADDLE	ROLLGESTELL
4	3000963	DECALCOMANIA FRECCHE CILINDRO	DECALCOMANIE	STICKER	ABZIEHBILD
5	4399953	VITE TE 10x16 8.8 5739	VIS M10x16 8.8	SCREW M10x16 8.8	SCHRAUBE M10x16 8.8
6	4395085	RONDELLA 10 (10,5x25x2)ZNT	RONDELLE D.10 (10,5x25x2)	WASHER D.10 (10,5x25x2)	BEILAGSSCHEIBE 10 (10,5x25x2)
7	6601074	LAMIERA CORTA CIL.LUNGO- NERA	PROTECTION VERIN LONGUE	CYLINDER COVER	BLECH
8	4299307	RASCHIATORE PER CARRELLO	RACLEUR POUR CHARIOT	SCRAPER	OELABSTREIFER
9	3001062	PIASTRINA PER RASCHIATORE	PLAQUE POUR RACLEUR	PLATE	PLATTE
10	4398273	VITE AUTOF. TCEI 5,5x19	VIS AUTOTARADEUSE TCEI 5,5x19	SELF-TAPPING SCREW 5,5x19	BLECHSCHRAUBE 5,5x19
11	4299252	TERMINALE PER CARRELLO	PARTIE TERMINALE POUR CHARIOT	CARRIAGE TERMINAL UNIT	ENDVERSCHLUSS
12	3017499	PIASTRINA BLOCC.PERNI CARR.-BRUN.	PLAQUE DE BLOCAGE	FASTENING PLATE	BEFESTIGUNGSPLATTE
13	4399302	VITE TE 14x30 8.8	VIS 14x30	SCREW 14x30	SCHRAUBE 14x30
14	4399228	VITE TE 10x25 8.8	VIS 10x25	SCREW 10x25	SCHRAUBE 10x25
15	3018906	ASTA PER BRACCIO XLA	TIGE POUR BRAS XLA	SHAFT FOR XLA ROD	STANGE FUER XLA ARM
16	4399302	VITE TE 14x30 8.8 5739	VIS M14x30 8.8	SCREW 14x30 8.8	SCHRAUBE 14x30 8.8
17	3032214	PIASTRINA ANTIROTAZIONE - ZNT	PLAQUE ANTI-ROTATION	ANTIROTATION PLATE	DREHFESTPLÄTTCHEN
18	4399972	VITE TE 10x90 8.8	VIS 10x90	SCREW 10x90	SCHRAUBE 10x90.
19	4398826	VITE STEI 10x20 P.P.	VIS 10x20	SCREW 10x20	SCHRAUBE 10x20
20	4399229	VITE TE 6x10 8.8	VIS 6x10	SCREW 6x10	SCHRAUBE 6X10
21	4398848	RONDELLA 6 (6,6x18x1,5)	RONDELLE 6 (6,6x18x1,5)	WASHER 6 (6,6x18x1,5)	BEILAGSSCHEIBE 6 (6,6x18x1,5)
22	6617516	SUPPORTO CATENA GUIDATUBI NERO	SUPPORT DE CHAINE	CHAIN SUPPORT	KETTENSTUETZE
23	4399946	VITE TE 8x16 8.8	VIS 8x16	SCREW 8x16	SCHRAUBE 8x16
24	3001067	RONDELLA FERMO ASTA E PERNO	RONDELLE D'ARRET TIGE ET AXE	WASHER	BEILAGSSCHEIBE
25	4399302	VITE TE 14x30 8.8	VIS 14x30	SCREW 14x30	SCHRAUBE 14x30
26	4399786	VITE TE 10x30 8.8 5739	VIS M10x30 8.8	SCREW M10x30 8.8	SCHRAUBE M10x30 8.8
27	4399967	DADO M10 6S BASSO ZNT	ECROU M10	NUT M10	MUTTER M10
28	2044867	KIT CATENA 27 MAGLIE	CHAIN KIT 27 LINKS	KIT CHAINE 27 MAILLES	27 MASCHENKETTE
29	6601006	CILINDRO LUNGO - NERO	CYLINDRE LONG	LONG CYLINDER	ZYLINDER
30	4399945	VITE TE 16x100 8.8 P.F. 5737	VIS M16x100 8.8	VIS M16x100 8.8	SCHRAUBE M16x100 8.8
31	4396846	DADO AUTOBL.M20X1,5 BASSO	ECROU A'BL.AUT.M20X1,5	SELF-LOCKING NUT 20X1,5	SELBSTBL. MUTTER 20X1,5
32	2118942	TELAIO S/551 - BLU RAL 5015	CHASSIS	FRAME S/551	GRUNDRAHMEN S/551
33	4397671	VITE AUTOF.TSIC 4,2x13	VIS AUTOTAR. TSIC 4,2x13	SELF-TAPPING SCREW 4,2x13	BLECHSCHRAUBE 4,2x13
34	4399903	RONDELLA 4 (4,5x12x1,5)	RONDELLE 4 (4,5x12x1,5)	WASHER 4 (4,5x12x1,5)	BEILAGSSCHEIBE 4 (4,5x12x1,5)
35	3011381	TUBO 1/4" L=320	TUYAU 1/4" L=320	HYDR. HOSE 1/4" L=320	SCHLAUCH 1/4" L=320
36	4197238	VALV.IDR. DI BLOCCO VBPSL 14	VANNE HYDR. DE BLOCAGE	HYDRAULIC STOP VALVE	HYDRAUL. SPERRVENTIL

TELAIO - CHÂSSIS - FRAME - RAHMEN

ED. 01/17

TAV. 1.0

37	4197164	RACCORDO GIREV. M/F 1/4"	RACCORD PIVOTANT M/F 1/4"	ROTATING UNION M/F 1/4"	DREHVERBINDUNG M/F 1/4"
38	4199257	NIPPLO MM. 1/4"- h.7 mm.	NIPPLE MM. 1/4"	NIPPLE MM.1/4" H=7,5 mm.	NIPPEL 1/4" - H.7mm.
39	4197297	RACCORDO OCCHIO 1/4"-1/4" BSP	RACCORD 1/4"-1/4"	UNION 1/4" - 1/4" BSP	ANSCHLUSS
40	4399295	DADO M16 6S BASSO ZNT 5589	ECROU	NUT M16	MUTTER M16 6S
41	6618880	PEDANA - NERA	TAPIS	RAMP	TRITTBRETT
42	4299251	RULLO PER PEDANA	ROULEAU POUR TAPIS	ROLLER	TRITTBRETTROLLE
43	2100991	PERNO BRACCIO AUTOC. S.551	PIVOT	ARM PIN	STIFT
44	4399288	ROND. DEN.ES."A" 6,4x11x0,7	RONDELLE DENTEE 6,4x11x0,7	TOOTHED WASHER 6,4x11x0,7	ZAHNSCHEIBE 6,4x11x0,7
45	2001290	CAVO PRESA TERRA CENTRALINA	CABLE DE TERRE	CABLE	MASSEKABEL
48	4398108	VITE AUTOF. TCEI 6,3x16 ZNT	VIS AUTOTARADEUSE 6,3x16	SELF-TAPPING SCREW 6,3x16	BLECHSCHRAUBE 6,3x16
49	3001051	GUARNIZIONE PER RIDUTTORE	JOINT POUR REDUCTEUR	GASKET	DICHTUNG
50	2100995	CARTER POST.RIDUTTORE- BLU	CARTER POSTERIEUR	COVER	HINTERGEHAEUSE
51	4399305	VITE TE 8x12 8.8 ZNT	VIS 8x12	SCREW 8x12	SCHRAUBE 8x12
52	4299066	SOTTOTAPPO D. 10,5 - ROSSO	SOUS-BOUCHON D.11,5	UNDERCAP D.11,5	UNTERPFROPFEN D.10,5
53	4198598	ROND.RAME 3/8" 17x23x1,5	RONDELLE EN CUIVRE 3/8" 17x23x1,5	COPPER WASHER 3/8" 17x23x1,5	KUPFERBEILAGSSCHEIBE
54	4196747	TAPPO 3/8" IDR.	BOUCHON 3/8"	CAP 3/8"	PFROPFEN 3/8"
55	4299255	SPIA LIVELLO OLIO	TEMOIN NIVEAU HIULE	OIL LEVEL INDICATOR	OELSTANDSANZEIGER
55A	4297160	SPIA LIVELLO OLIO 3/4" COMPL.	TEMOIN NIVEAU HUILE 3/4"	PILOT OIL 3/4" COMPL.	OELSTANDSANZEIGER 3/4"
56	4399298	VITE TCEI M 8x16 8.8 5931	VIS TCEI M8x16 8.8	SCREW M 8x16 8.8	SCHRAUBE 8x16 8.8
57	6616557	COP. CIL.AUTOC. 558/9 VERT.-NERO	COUVERCLEVERIN AUTOC. 551	CYLINDER COVER	ZYLINDERHAUBE
58	2100998	CARTER ANTERIORE -BLU RAL 5015	CARTER ANTERIEUR	COVER	VORDERGEHAEUSE
59	4199258	TAPPO OLIO	BOUCHON HUILE	OIL PLUG	OELVERSCHRAUBUNG
60	4399300	VITE TCEI M 6x12 8.8	VIS 6x12	SCREW 6x12	SCHRAUBE 6x12
61	3001010	SCHERMO PER OLIO	ECRAN POUR HUILE	OIL SCREEN	OELSCHIRM
62	2101009	SUPPORTO VITE SENZA FINE	SUPPORT POUR VIS	WORM SCREW SUPPORT	SCHNECKENLAGER
63	3001056	DISTANZIALE D.81 X 105 X 0,5	ENTRETOISE	SPACER 81x105x0,5	ABSTANDSSTUECK
64	3001057	DISTANZIALE D.81 X 105 X 1	ENRETOISE	SPACER 81x105x1	ABSTANDSSTUECK
65	4299308	ANELLO TENUTA FT 8090	JOINT	GROMMET	DICHTUNGSRING
66	4299325	ANELLO OR 4387 D.98,02X3,53	ORT	O-RING 98,02x3,53	O-RING 4387 D.98,02X3,53
67	4399786	VITE TE 10x30 8.8 5739	VIS M10x30 8.8	SCREW M10x30 8.8	SCHRAUBE M10x30 8.8
68	2101101	BRACCIO MANDRINO - BLU RAL5015	BRAS MANDRIN	CHUCK ARM	SPANNFUTTERARM
69	3001041	BRONZINA ALBERO MANDRINO	BIELLE	BUSHING	BRONZEBUECHSE
70	2118804	BRACCIO AUTOCENTRANTE	BRAS	ARM	SELBSTZENTRIERARM
71	4399305	VITE TE 8x12 8.8 5739	VIS M8x12 - 8.8	SCREW M8x12 8.8	SCHRAUBE 8x12 8.8
72	4399829	RONDELLA 8 (8,4x16x1,5)ZNT6592	RONDELLE 8 (8,4X16X1,5)	WASHER 8 (8,4x16x1,5)	SCHEIBE 8 (8,4x16x1,5)
73	3000943	CARTER PROT.CINGHIA 551 *NERO	CARTER DE PROTECTION COURROIE	COVER	RIEMENSCHUTZ.

TELAIO - CHÂSSIS - FRAME - RAHMEN

ED. 01/17

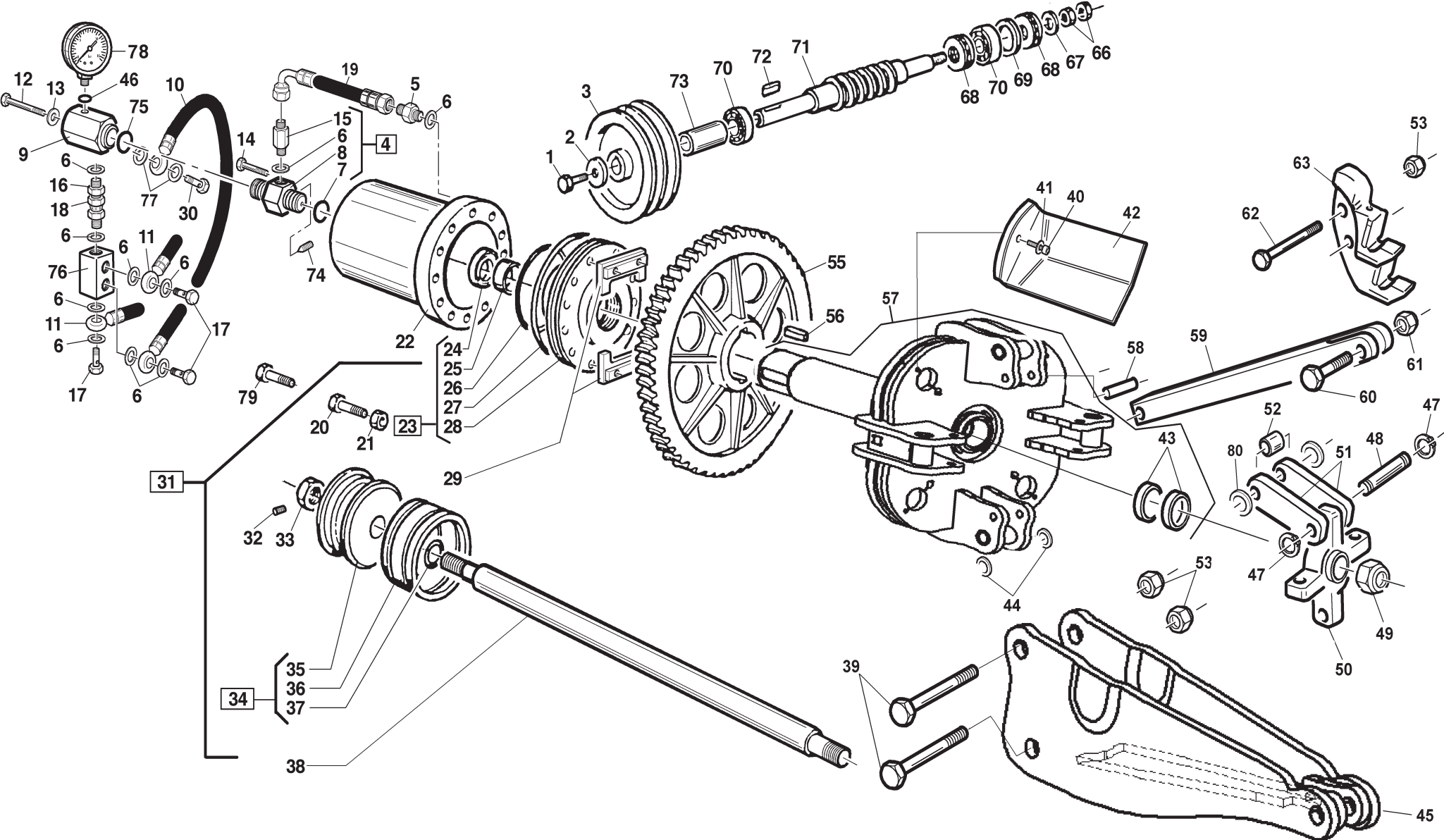
TAV. 1.0

74	4294151	CINGHIA TRAP. DENTATA XPZ 750	COURROIE	ROFLEX BELT	ROFLEX RIEMEN
75	4398827	VITE STEI 8x12 P.P.	VIS 8x12	SCREW 8x12	SCHRAUBE 8x12
76	4395033	RONDELLA STAFFAGGIO D.19x40x6	RONDELLE D.19x40x6	WASHER D.19x40x6	BEILAGSSCHEIBE D.19x40x6
77	3000975	PULEGGIA MOTRICE	POULIE	MOTOR PULLEY	ANTRIEBSSCHEIBE
78	6600974	SUPPORTO MOTORE - NERO	SUPPORT MOTEUR	MOTOR SUPPORT	MOTORLAGER
79	4299330	DISTANZIALE CENTRAGGIO MOTORE	ENTRETOISE	SPACER	ABSTANDSSTUECK
81	4596777	MOT.3PH 230/400V.50/60HZ 2HP B5	MOTEUR 3PH 230/400V 50/60HZ	MOTOR 3PH 230/400V 50/60HZ	MOTOR 3PH 230/400V 50/60HZ
85	4399228	VITE TE 10x25 8.8	VIS 10x25	SCREW 10x25	SCHRAUBE 10x25
86	6601005	CILINDRO CORTO - NERO	CYLINDRE COURT	SHORT CYLINDER	ZYLINDER
87	3001273	STELO CILINDRO CORTO	TIGE POUR VERIN COURT	CYLINDER ROD	ZYLINDERSTANGE
88	6601272	CAMICIA CILINDRO CORTO-NERA	CHEMISE VERIN COURT	CYLINDER LINER	ZYLINDERMANTEL
89	4194793	BULLONE RACC.1/4" STROZZ. 1 X 1mm	BOULON RACCORD	1/4" UNION NUT	VERSCHRAUBUNG 1/4"
90	4399256	ROND. RAME 1/4" (13x19x1,5)	RONDELLE 1/4" D.13x19x1,5	WASHER 1/4" D.13x19x1,5	KUPFERSCHEIBE 1/4"
91	3010139	TUBO X CILINDRO CORTO 551V	TUYAU POUR CYLINDRE COURT	SHORT CYLINDER PIPE	ROHR FUR KURZEN ZYL.
92	6618953	SUPPORTO DOTAZIONE - NERO	SUPPORT	SUPPORT	HALTER
93	3000961	DECALCOMANIA FRECCHE ROTATORIE	DECALCOMANIE	STICKER	ABZIEHBILD
94	3001055	FELTRO PER ANELLO	FEUTRE	FELT	FILZ
95	3001738	ANELLO X FELTRO AUTOCENTR. TN	BAGUE POUR FEUTRE	RING FOR FELT	RING
96	4399979	ANELLO SEEGER E D.30	BAGUE SEEGER D.30	SEEGER RING D.30	SEEGER-RING D.30
97	4399289	RONDELLA 24 (25x44x4) ZNT 6592	RONDELLE	WASHER 25x44x4	SCHEIBE D.25X44X4
98	4398662	ROND.GROWER D.10 ZNT 1751	RONDELLE GROWER D.10	GROWER WASHER D.10	BEILAGSSCHEIBE GROWER D.10
99	3001003	PERNO FISS.CILINDRO LUNGO	GOIJON FIXAGE CYLINDRE	PIN	FIXIERSTIFT
100	3001072	TUBO CORTO CILINDRO LUNGO S551	TUYAU COURT POUR CYLINDRE LONG	SHORT HOSE	SCHLAUCH f. ZYLINDER
101	3004989	NIPPLO MM 1/4" -h.18 mm.	NIPPLE MM 1/4" - H.18 mm.	NIPPLE MM 1/4" H.18mm.	NIPPEL MM 1/4" - H.18 mm.
102	3018643	PATTINO X CARRELLO	PATIN POUR CHARIOT	CARRIAGE SLIDE	FAHRGESTELLSCHLITTEN
103	3001065	TUBO LUNGO CILINDRO LUNGO S551	TUYAU POUR CYLINDRE LONG	LONG HOSE	ZYLINDERSCHLAUCH
104	4199249	BULLONE RACCORDO FORATO 1/4"	BOULON	1/4" UNION NUT	VERSCHRAUBUNG 1/4"
105	6601278	CAMICIA CILINDRO LUNGO-NERA	CHEMISE CYLINDRE LONG	CYLINDER LINER	ZYLINDERMANTEL
106	3019036	RASCHIAPOLVERE 20X20	SEGMENT RACLEUR 20x20	SCRAPER 20x20	KRATZSCHEIBE 20x20
107	4398725	DADO AUTOBL.MA18 ALTO	ECROU DE VERROUILLAGE M18	SELF-LOCKING NUT M18	SELBSTSICHERNDE MUTTER M18
108	4399947	RONDELLA 8 (9x32x4) ZNT	RONDELLE 8 (9x32x4)	WASHER 8 (9x32x4)	BEILAGSSCHEIBE 8 (9X32X4)
109	4398827	VITE STEI 8x12 P.P.	VIS 8x12	SCREW 8x12	SCHRAUBE 8x12
110	4399969	DADO M10 6S ALTO ZNT	ECROU M10	NUT M10	MUTTER M10
111	4395085	RONDELLA 10 (10,5x25x2)ZNT	RONDELLE 10 (10,5x25x2)	WASHER 10 (10,5x25x2)	BEILAGSSCHEIBE (10,5x25x2)
112	4394989	SPINA CIL.RETT. 6X16	EPINE CYLINDR. 6X16	CYLINDER PIN 6X16	ZYLINDERSTIFT 6X16
113	4296876	ATTACCO MASCHIO CATENA	ATTELAGE CHAINE	CHAIN MALE UNION	KETTENVERBINDUNGSSTUECK
114	4296875	ATTACCO FEMMINA CATENA	ATTELAGE CHAINE	CHAIN FEMALE UNION	KETTENVERBINDUNGSSTUECK

**AUTOCENTRANTE - CENTREUR -
SELF-CENTERING CHUCK - SELBSTZENTRIERENDER**

ED. 01/17

TAV. 2.0



**AUTOCENTRANTE - CENTREUR -
SELF-CENTERING CHUCK - SELBSTZENTRIERENDER**

ED. 01/17

TAV. 2.0

Ref	Code	Descrizione	Description	Description	Beschreibung
1	4399953	VITE TE 10x16 8.8 5739	VIS M10x16 8.8	SCREW M10x16 8.8	SCHRAUBE M10x16 8.8
2	3001068	RONDELLA D.10,5X40X5	RONDELLE D.10,5x40x5	WASHER D.10,5x40x5	SCHEIBE D.10,5X40X5
3	3001052	PULEGGIA CONDOTTA	POULIE CONDUITE	DRIVEN PULLEY	ZUFUEHRUNGSROLLE
4	2001046	PERNO PER RACCORDO GIREVOLE	AXE POUR RACCORD PIVOTANT	PIN	STIFT
5	3001372	NIPPLES MM 1/4"- h.12mm	NIPPLE MM 1/4"	NIPPLE 1/4" H.12mm.	NIPPEL 1/4" - H.12mm.
6	4399256	ROND. RAME 1/4" (13x19x1,5)	RONDELLE 1/4" D.13x19x1,5	WASHER 1/4" D.13x19x1,5	KUPFERSCHEIBE 1/4"
7	4299241	ANELLO OR 4093 D.23,40X3,53	BAGUE OR 4093 - D.23,40x3,53	O-RING 23,40x3,53	O-RING 4093 - D.23,40X3,53
8	2001241	PERNO RACCORDO GIREVOLE	AXE RACCORD PIVOTANT	PIN	STIFT
9	2016554	CORPO RACCORDO GIREVOLE	CORPS RACCORD PIVOTANT	ROTATING UNION	DREHANSCHLUSS
10	3009763	TUBO 1/4" L=400 RACC.GIR. 551	TUYAU 1/4" L=400 RACC.PIVOTANT	HOSE 1/4" L=400 ROTATING UNION	SCHLAUCH DREHVERB.
11	3010138	TUBO CILINDRO AUTOCENTR. 551V	TUYAU VERIN MANDRIN	CHUCK CYLINDER HOSE	ZYLINDERSCHLAUCH
12	4399305	VITE TE 8x12 8.8 5739	VIS M8x12 - 8.8	SCREW M8x12 8.8	SCHRAUBE 8x12 8.8
13	4399947	RONDELLA 8 (9x32x4) ZNT 6593	RONDELLE 8 (9x32x4) UNI 6593	WASHER 8 (9x32x4)	BEILAGSSCHEIBE 8 (9x32x4)
14	4399299	VITE TCEI M 6x30 8.8 5931	VIS M6x30 8.8	SCREW 6x30 8.8	SCHRAUBE 6x30 8.8
15	3004989	NIPPLO MM 1/4" -h.18 mm.	NIPPLE MM 1/4" - H.18 mm.	NIPPLE MM 1/4" H.18mm.	NIPPEL MM 1/4" - H.18 mm.
16	4199257	NIPPLO MM. 1/4"- h.7 mm.	NIPPLE MM. 1/4"	NIPPLE MM.1/4" H=7,5 mm.	NIPPEL 1/4" - H.7mm.
17	4199249	BULLONE RACCORDO FORATO 1/4"	BOULON	1/4" UNION NUT	VERSCHRAUBUNG 1/4"
18	4197164	RACCORDO GIREV. M/F 1/4"	RACCORD PIVOTANT M/F 1/4"	ROTATING UNION M/F 1/4"	DREHVERBINDUNG M/F 1/4"
19	3001063	TUBO PONTE CIL.AUTOCENTR. S551	TUYAU	HOSE	SCHLAUCH
20	4397145	VITE TE 10x70 8.8 P.F. 5737	VIS 10x70 8.8	SCREW 10x70 8.8	SCHRAUBE 10x70 8.8
21	4399969	DADO M10 6S ALTO ZNT 5587	ECROU M10	NUT M10	MUTTER M10
22	2100996	CILINDRO D. 140	CYLINDRE D.140	CYLINDER D.140	ZYLINDER D.140
23	2001048	FLANGIA PER CILINDRO D.140 551	BRIDE POUR CYLINDRE D.140	CYLINDER FLANGE D.140	FLANSCH
24	4299173	ANELLO TENUTA RS 4052	BAGUE D'ETANCHEITE'	GROMMET	DICHTUNGSRING
25	4299172	ANELLO GUIDA WRI 40	BAGUE DE GUIDAGE WRI 40	GUIDE RING	FUEHRUNGSRING
26	4299171	ANELLO OR 4525 D.132,94X3,53	BAGUE OR 4525 - D.132,94x3,53	O-RING 132,94x3,53	O-RING 4525 - D.132,94X3,53
27	4299170	ANELLO OR 6720 D.183,52X5,34	BAGUE OR 6720 - D.183,52x5,34	O-RING 183,52x5,34	O-RING 6720 - D.183,52X5,34
28	3008801	COPERCHIO GUIDA CILINDRO D.140	COUVERCLE GUIDAGE VERIN D.140	CYLINDER GUIDE COVER D.140	ZYLINDERFUEHRUNG
29	2108802	PIASTRA BLOCC. RUOTA ELIC. 551	PLAQUE BLOCAGE ROUE	WHEEL LOCKING PLATE	FIXIERSCHEIBE
30	4197232	BULLONE RACC. 1/4" TORNITO	BOULON RACC,1/4"	1/4" UNION NUT	VERSCHRAUBUNG 1/4"
31	2001281	CILINDRO D.140 COMPL.	CYLINDRE D.140	CYLINDER D.140	ZYLINDER D.140
32	4398496	VITE STEI 5x5 P.CONICA	VIS 5X5	SCREW 5x5 - CONIC 5927	SCHRAUBE 5x5
33	4399294	DADO M27x2 6S BASSO ZNT 5589	ECROU M27x2	NUT M27x2	MUTTER M27X2 6S
34	2001045	PISTONE CON GUARNIZIONI 551	PISTON AVEC JOINTS	PISTON	KOLBEN MIT DICHTUNGEN

**AUTOCENTRANTE - CENTREUR -
SELF-CENTERING CHUCK - SELBSTZENTRIERENDER**

ED. 01/17

TAV. 2.0

35	3001117	PISTONE D.140	PISTON D.140	PISTON D.140	KOLBEN D.140
36	4299313	ANELLO TENUTA PIST. DAS 140115	JOINT PISTON	GROMMET	DICHTUNGSRING
37	4299312	ANELLO OR 4112 D.28,17X3,53	BAGUE OR 4112 D.28,17x3,53	O-RING 28,17x3,53	O-RING 4112 - D.28,17X3,53
38	3001001	ASTA COMANDO MANDRINO	TIGE COMMANDE MANDRIN	CHUCK CONTROL SHAFT	KONTROLLSTANGE
39	3032343	VITE TE M18X1,5X110 Lp85	VIS 18X1,5X110	SCREW 18X1,5X110	SCHRAUBE 18X1,5X110
40	4398273	VITE AUTOF. TCEI 5,5x19	VIS AUTOTARADEUSE TCEI 5,5x19	SELF-TAPPING SCREW 5,5x19	BLECHSCHRAUBE 5,5x19
41	4399998	RONDELLA 6 (6,4x12x1,6)ZNT6592	RONDELLE 6 (6,4x12x1,6)	WASHER 6 (6,4x12x1,6)	SCHEIBE 6 (6,4x12x1,6)
42	3017581	PROTEZ. ABS MANDRINO 560 *NERO	PROTECT. ABS	ABS COVER	ABS SCHUTZDECKE
43	4299309	ANELLO RASCHIATORE PW40G	RACLETTE D.40X50X6	SCRAPER RING	OELABSTREIFRING
44	4399974	RASAMENTO ACCIAIO 20,5X28X0,3	ENTRETOISE 20,5x28x0,3	SHIM ADJUSTMENT 20,5x28x0,3	AUSGLEICHRING 20,5x28x0,3
45	2132491	BRACCIO MANDRINO -ZNT.	BRAS MANDRIN GAUCHE	LEFT CHUCK ARM	LINKER SPINDELARM
46	4197754	ANELLO OR 3030 D. 7,59x2,62	JOINT TORIQUE 3030 D. 7,59x2,62	O-RING 3030 D. 7,59x2,62	O-RING 3030 D. 7,59x2,62
47	4399231	ANELLO SEEGER E D.18 7435	BAGUE SEEGER D.18	SEEGER RING D.18	SEEGER RING D.18
48	3000993	PERNO PER BIELLA AUTOCENTRANTE	GOUJON POUR BIELLE AUTOCENTR.	PIN	STIFT
49	4399293	DADO M33x2 6S BASSO 5589	ECROU M33x2	NUT M33x2	MUTTER M33X2 6S
50	3001050	CROCE PER AUTOCENTRANTE	CROIX POUR AUTOCENTREUR	TURNTABLE CROSS	KREUZ
51	3001044	BIELLA PER AUTOCENTRANTE	BIELLE POUR AUTOCENTREUR	CONNECTING ROD	PLEUELSTANGE
52	3000994	DISTANZIALE D.20X30X28-BRUNITO	ENTRETOISE D.20x30x28	SPACER D.20x30x28	ABSTANDSSTUECK D
53	4399316	DADO AUTOBL.M18x1,5 h=18 7474	ECROU BLOK M18x1,5 H.18	SELF-LOCKING NUT M18x1,5 H=18	SELBSTSICHERNDE MUTTER
55	3008800	RUOTA ELICOIDALE S.551 T.N.	ROUE HELICOIDALE S.551	WORM WHEEL	SCHNECKENRAD
56	4399218	LINGUETTA 20x12x60 (A) 6604	LANGUETTE 20x12x60	TAB 20x12x60	ZUNGE 20X12X60
57	2032813	MANDRINO COMPL. S.560	MANDRIN COMPLET	COMPL. CHUCK UNIT	KOMPL. SPINDEL
58	3033796	SPINA CIL.RETT. 12x65	GOUPILLE 12x65	SPRING PIN 12x65	ZYLINDERSTIFT 12x65
59	3000992	BARRA STABILIZZATRICE-ZINCATA	BARRE	BAR	STANGE
60	3000968	VITE TE M12X58 (4399314)	VIS TE M12x58	SCREW 12x58	SCHRAUBE 12x58
61	4399865	DADO AUTOBL.M12 BASSO.6S. 7474	ECROU A' BLOCAGE AUTOMAT. M12	SELF-LOCKING NUT M12	SELBSTSICHERNDE MUTTER
62	3000966	VITE TE M18X1,5X87(4399317)	VIS TE M18x1,5x87	SCREW 18x1,5x87	SCHRAUBE 18x1,5x87
63	3033828	GRIFFA SMTG CAMION GRANDE	SUPPORT DE MORS	CLAMP SUPPORT	KLAUENHALTER
66	4399181	DADO M16x1,5 6S BASSO ZNT	ECROU	NUT M16	MUTTER M16 6S
67	3001114	RONDELLA D. 16,2X38X7	RONDELLE D.16,2x38x7	WASHER D.16,2x38x7	SCHEIBE D.16,2X38X7
68	4299284	CUSCINETTO ASSIALE 2KL 51205 1E8	COUSSINET	BEARING	UNTERLAGE TAM 6205 2RS
69	3001115	DISTANZIALE CUSCINETTO	ENTRETOISE COUSSINET	SPACER	ABSTANDSSTUECK
70	4299285	CUSCINETTO TAM 6205 2RS - 119	COUSSINET	BEARING	UNTERLAGE TAM 6205 2RS

**AUTOCENTRANTE - CENTREUR -
SELF-CENTERING CHUCK - SELBSTZENTRIERENDER**

ED. 01/17

TAV. 2.0

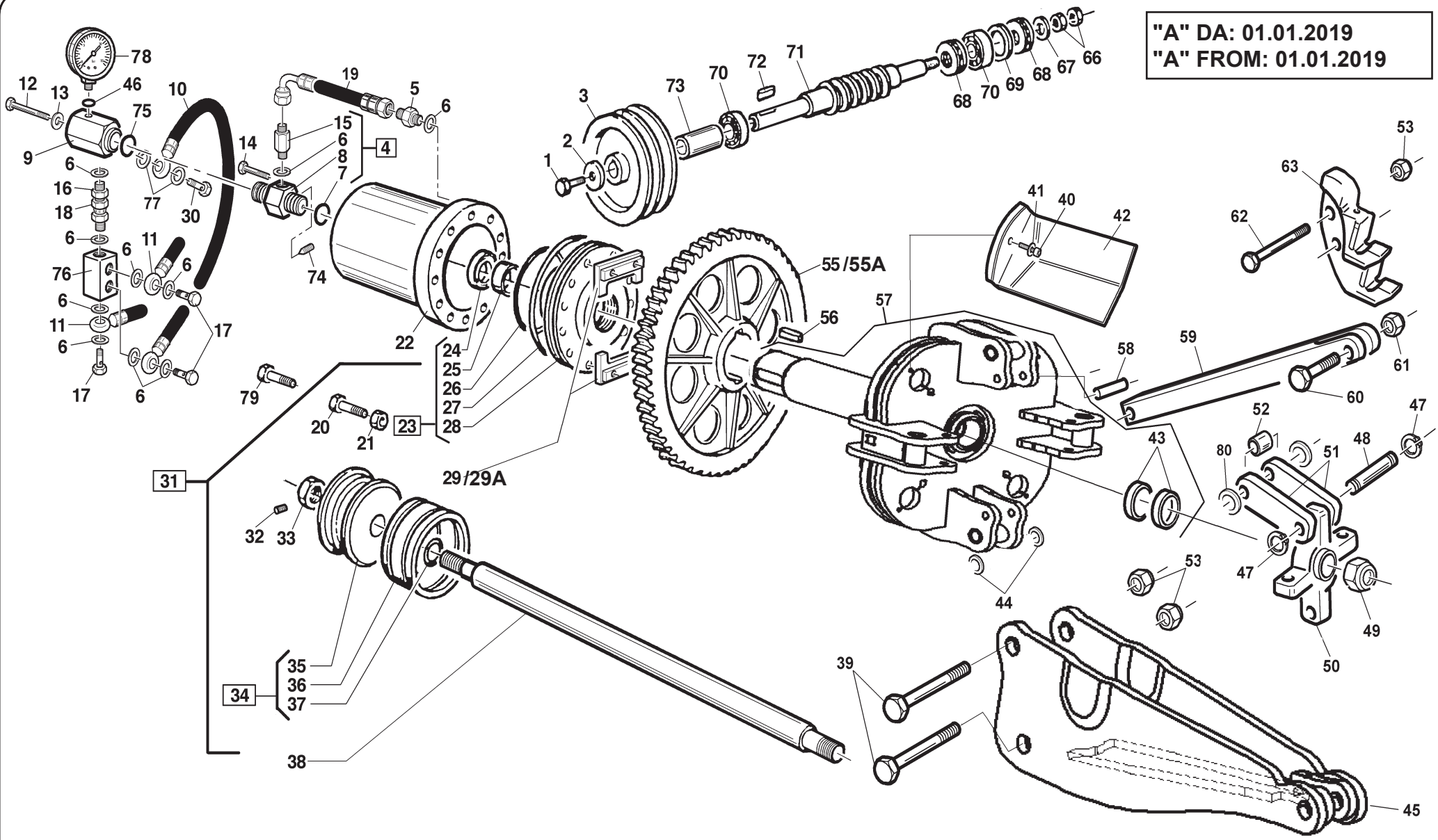
71	3010861	VITE SENZA FINE M3,5	VIS SANS FIN M3,5	WORM SCREW M3,5	SCHNECKE M3,5
72	4399287	LINGUETTA 7x8x30 (A) 6604	LANGUETTE REF. 8680	TAB 7x8x30	ZUNGE 7X8X30
73	3000999	DISTANZIALE D.25,1X35X58 ZNT B	ENTRETOISE REF. 8678	SPACER D.25,1x35x58	ABSTANDSSTUECK
74	4397046	VITESTEI 10x10 P.CONICA 5927	VIS M10x10	SCREW M10x10	SCHRAUBE M10x10
75	4299167	ANELLO DRS-2028	BAGUE	RING	RING DRS-2028
76	4197238	VALV.IDR. DI BLOCCO VBPSL 14	VANNE HYDR. DE BLOCAGE	HYDRAULIC STOP VALVE	HYDR. SPERRVENTIL
77	4396341	ROND.BOND 1/4"(13,5x21x12)	RONDELLE BOND 1/4"	BOND WASHER 1/4"	KUPFERSCHEIBE 1/4"
78	4199146	MANOMETRO 1/4" 250 BAR	MANOMETRE 1/4" 250 BAR	PRESSURE GAUGE 1/4" 250 BAR	MANOMETER 1/4" 250 BAR
79	4396424	VITE TCEI M10x60 8.8 PF	VIS M10x60 8.8	SCREW M10x60 - 8.8	SCHRAUBE M10x60 - 8.8
80	4398289	RONDELLA 18 (19x34x3) ZNT	RONDELLE 18 (19x34x3)	WASHER 18 (19x34x3)	BEILAGSSCHEIBE 18 (19x34x3)

**AUTOCENTRANTE - CENTREUR -
SELF-CENTERING CHUCK - SELBSTZENTRIERENDER**

02.19

TAV. 2.0

"A" DA: 01.01.2019
"A" FROM: 01.01.2019



**AUTOCENTRANTE - CENTREUR -
SELF-CENTERING CHUCK - SELBSTZENTRIERENDER**

02.19

TAV. 2.0

Ref	Code	Descrizione	Description	Description	Beschreibung
1	4399953	VITE TE 10x16 8.8 5739	VIS M10x16 8.8	SCREW M10x16 8.8	SCHRAUBE M10x16 8.8
2	3001068	RONDELLA D.10,5X40X5	RONDELLE D.10,5x40x5	WASHER D.10,5x40x5	SCHEIBE D.10,5X40X5
3	3001052	PULEGGIA CONDOTTA	POULIE CONDUITE	DRIVEN PULLEY	ZUFUEHRUNGSROLLE
4	2001046	PERNO PER RACCORDO GIREVOLE	AXE POUR RACCORD PIVOTANT	PIN	STIFT
5	3001372	NIPPLES MM 1/4"- h.12mm	NIPPLE MM 1/4"	NIPPLE 1/4" H.12mm.	NIPPEL 1/4" - H.12mm.
6	4399256	ROND. RAME 1/4" (13x19x1,5)	RONDELLE 1/4" D.13x19x1,5	WASHER 1/4" D.13x19x1,5	KUPFERSCHEIBE 1/4"
7	4299241	ANELLO OR 4093 D.23,40X3,53	BAGUE OR 4093 - D.23,40x3,53	O-RING 23,40x3,53	O-RING 4093 - D.23,40X3,53
8	2001241	PERNO RACCORDO GIREVOLE	AXE RACCORD PIVOTANT	PIN	STIFT
9	2016554	CORPO RACCORDO GIREVOLE	CORPS RACCORD PIVOTANT	ROTATING UNION	DREHANSCHLUSS
10	3009763	TUBO 1/4" L=400 RACC.GIR. 551	TUYAU 1/4" L=400 RACC.PIVOTANT	HOSE 1/4" L=400 ROTATING UNION	SCHLAUCH DREHVERB.
11	3010138	TUBO CILINDRO AUTOCENTR. 551V	TUYAU VERIN MANDRIN	CHUCK CYLINDER HOSE	ZYLINDERSCHLAUCH
12	4399305	VITE TE 8x12 8.8 5739	VIS M8x12 - 8.8	SCREW M8x12 8.8	SCHRAUBE 8x12 8.8
13	4399947	RONDELLA 8 (9x32x4) ZNT 6593	RONDELLE 8 (9x32x4) UNI 6593	WASHER 8 (9x32x4)	BEILAGSSCHEIBE 8 (9x32x4)
14	4399299	VITE TCEI M 6x30 8.8 5931	VIS M6x30 8.8	SCREW 6x30 8.8	SCHRAUBE 6x30 8.8
15	3004989	NIPPLO MM 1/4" -h.18 mm.	NIPPLE MM 1/4" - H.18 mm.	NIPPLE MM 1/4" H.18mm.	NIPPEL MM 1/4" - H.18 mm.
16	4199257	NIPPLO MM. 1/4"- h.7 mm.	NIPPLE MM. 1/4"	NIPPLE MM.1/4" H=7,5 mm.	NIPPEL 1/4" - H.7mm.
17	4199249	BULLONE RACCORDO FORATO 1/4"	BOULON	1/4" UNION NUT	VERSCHRAUBUNG 1/4"
18	4197164	RACCORDO GIREV. M/F 1/4"	RACCORD PIVOTANT M/F 1/4"	ROTATING UNION M/F 1/4"	DREHVERBINDUNG M/F 1/4"
19	3001063	TUBO PONTE CIL.AUTOCENTR. S551	TUYAU	HOSE	SCHLAUCH
20	4397145	VITE TE 10x70 8.8 P.F. 5737	VIS 10x70 8.8	SCREW 10x70 8.8	SCHRAUBE 10x70 8.8
21	4399969	DADO M10 6S ALTO ZNT 5587	ECROU M10	NUT M10	MUTTER M10
22	2100996	CILINDRO D. 140	CYLINDRE D.140	CYLINDER D.140	ZYLINDER D.140
23	2001048	FLANGIA PER CILINDRO D.140 551	BRIDE POUR CYLINDRE D.140	CYLINDER FLANGE D.140	FLANSCH
24	4299173	ANELLO TENUTA RS 4052	BAGUE D'ETANCHEITE'	GROMMET	DICHTUNGSRING
25	4299172	ANELLO GUIDA WRI 40	BAGUE DE GUIDAGE WRI 40	GUIDE RING	FUEHRUNGSRING
26	4299171	ANELLO OR 4525 D.132,94X3,53	BAGUE OR 4525 - D.132,94x3,53	O-RING 132,94x3,53	O-RING 4525 - D.132,94X3,53
27	4299170	ANELLO OR 6720 D.183,52X5,34	BAGUE OR 6720 - D.183,52x5,34	O-RING 183,52x5,34	O-RING 6720 - D.183,52X5,34
28	3008801	COPERCHIO GUIDA CILINDRO D.140	COUVERCLE GUIDAGE VERIN D.140	CYLINDER GUIDE COVER D.140	ZYLINDERFUEHRUNG
29	2108802	PIASTRA BLOCC. RUOTA ELIC. 551	PLAQUE BLOCAGE ROUE	WHEEL LOCKING PLATE	FIXIERSCHEIBE
29A	2044362	GR. PIASTRA BLOCCAGGIO RUOTA ELICOIDALE		HELICAL GEAR LOCKING PLATE	SCHNECKENRAD-VERSCHLUSSPLATTE
30	4197232	BULLONE RACC. 1/4" TORNITO	BOULON RACC,1/4"	1/4" UNION NUT	VERSCHRAUBUNG 1/4"
31	2001281	CILINDRO D.140 COMPL.	CYLINDRE D.140	CYLINDER D.140	ZYLINDER D.140
32	4398496	VITE STEI 5x5 P.CONICA	VIS 5X5	SCREW 5x5 - CONIC 5927	SCHRAUBE 5x5
33	4399294	DADO M27x2 6S BASSO ZNT 5589	ECROU M27x2	NUT M27x2	MUTTER M27X2 6S
34	2001045	PISTONE CON GUARNIZIONI 551	PISTON AVEC JOINTS	PISTON	KOLBEN MIT DICHTUNGEN

**AUTOCENTRANTE - CENTREUR -
SELF-CENTERING CHUCK - SELBSTZENTRIERENDER**

02.19

TAV. 2.0

35	3001117	PISTONE D.140	PISTON D.140	PISTON D.140	KOLBEN D.140
36	4299313	ANELLO TENUTA PIST. DAS 140115	JOINT PISTON	GROMMET	DICHTUNGSRING
37	4299312	ANELLO OR 4112 D.28,17X3,53	BAGUE OR 4112 D.28,17x3,53	O-RING 28,17x3,53	O-RING 4112 - D.28,17X3,53
38	3001001	ASTA COMANDO MANDRINO	TIGE COMMANDE MANDRIN	CHUCK CONTROL SHAFT	KONTROLLSTANGE
39	3032343	VITE TE M18X1,5X110 Lp85	VIS 18X1,5X110	SCREW 18X1,5X110	SCHRAUBE 18X1,5X110
40	4398273	VITE AUTOF. TCEI 5,5x19	VIS AUTOTARADEUSE TCEI 5,5x19	SELF-TAPPING SCREW 5,5x19	BLECHSCHRAUBE 5,5x19
41	4399998	RONDELLA 6 (6,4x12x1,6)ZNT6592	RONDELLE 6 (6,4x12x1,6)	WASHER 6 (6,4x12x1,6)	SCHEIBE 6 (6,4x12x1,6)
42	3017581	PROTEZ. ABS MANDRINO 560 *NERO	PROTECT. ABS	ABS COVER	ABS SCHUTZDECKE
43	4299309	ANELLO RASCHIATORE PW40G	RACLETTE D.40X50X6	SCRAPER RING	OELABSTREIFRING
44	4399974	RASAMENTO ACCIAIO 20,5X28X0,3	ENTRETOISE 20,5x28x0,3	SHIM ADJUSTMENT 20,5x28x0,3	AUSGLEICHRING 20,5x28x0,3
45	2132491	BRACCIO MANDRINO -ZNT.	BRAS MANDRIN GAUCHE	LEFT CHUCK ARM	LINKER SPINDELARM
46	4197754	ANELLO OR 3030 D. 7,59x2,62	JOINT TORIQUE 3030 D. 7,59x2,62	O-RING 3030 D. 7,59x2,62	O-RING 3030 D. 7,59x2,62
47	4399231	ANELLO SEEGER E D.18 7435	BAGUE SEEGER D.18	SEEGER RING D.18	SEEGER RING D.18
48	3000993	PERNO PER BIELLA AUTOCENTRANTE	GOUJON POUR BIELLE AUTOCENTR.	PIN	STIFT
49	4399293	DADO M33x2 6S BASSO 5589	ECROU M33x2	NUT M33x2	MUTTER M33X2 6S
50	3001050	CROCE PER AUTOCENTRANTE	CROIX POUR AUTOCENTREUR	TURNTABLE CROSS	KREUZ
51	3001044	BIELLA PER AUTOCENTRANTE	BIELLE POUR AUTOCENTREUR	CONNECTING ROD	PLEUELSTANGE
52	3000994	DISTANZIALE D.20X30X28-BRUNITO	ENTRETOISE D.20x30x28	SPACER D.20x30x28	ABSTANDSSTUECK D
53	4399316	DADO AUTOBL.M18x1,5 h=18 7474	ECROU BLOK M18x1,5 H.18	SELF-LOCKING NUT M18x1,5 H=18	SELBSTSICHERNDE MUTTER
55	2044608	KIT RUOTA ELICOIDALE	ROUE HELICOIDARE S.551	HELICAL GEAR	SCHNECKENRAD
55A	3044593	RUOTA ELICOIDALE RINF.	ROUE HELICOIDALE	HELICAL GEAR	SCHNECKENRAD
56	4399218	LINGUETTA 20x12x60 (A) 6604	LANGUETTE 20x12x60	TAB 20x12x60	ZUNGE 20X12X60
57	2032813	MANDRINO COMPL. S.560	MANDRIN COMPLET	COMPL. CHUCK UNIT	KOMPL. SPINDEL
58	3033796	SPINA CIL.RETT. 12x65	GOUPILLE 12x65	SPRING PIN 12x65	ZYLINDERSTIFT 12x65
59	3000992	BARRA STABILIZZATRICE-ZINCATA	BARRE	BAR	STANGE
60	3000968	VITE TE M12X58 (4399314)	VIS TE M12x58	SCREW 12x58	SCHRAUBE 12x58
61	4399865	DADO AUTOBL.M12 BASSO.6S. 7474	ECROU A' BLOCAGE AUTOMAT. M12	SELF-LOCKING NUT M12	SELBSTSICHERNDE MUTTER
62	3000966	VITE TE M18X1,5X87(4399317)	VIS TE M18x1,5x87	SCREW 18x1,5x87	SCHRAUBE 18x1,5x87
63	3033828	GRIFFA SMTG CAMION GRANDE	SUPPORT DE MORS	CLAMP SUPPORT	KLAUENHALTER
66	4399181	DADO M16x1,5 6S BASSO ZNT	ECROU	NUT M16	MUTTER M16 6S
67	3001114	RONDELLA D. 16,2X38X7	RONDELLE D.16,2x38x7	WASHER D.16,2x38x7	SCHEIBE D.16,2X38X7
68	4299284	CUSCINETTO ASSIALE 2KL 51205 1E8	COUSSINET	BEARING	UNTERLAGE TAM 6205 2RS
69	3001115	DISTANZIALE CUSCINETTO	ENTRETOISE COUSSINET	SPACER	ABSTANDSSTUECK
70	4299285	CUSCINETTO TAM 6205 2RS - 119	COUSSINET	BEARING	UNTERLAGE TAM 6205 2RS

**AUTOCENTRANTE - CENTREUR -
SELF-CENTERING CHUCK - SELBSTZENTRIERENDER**

02.19

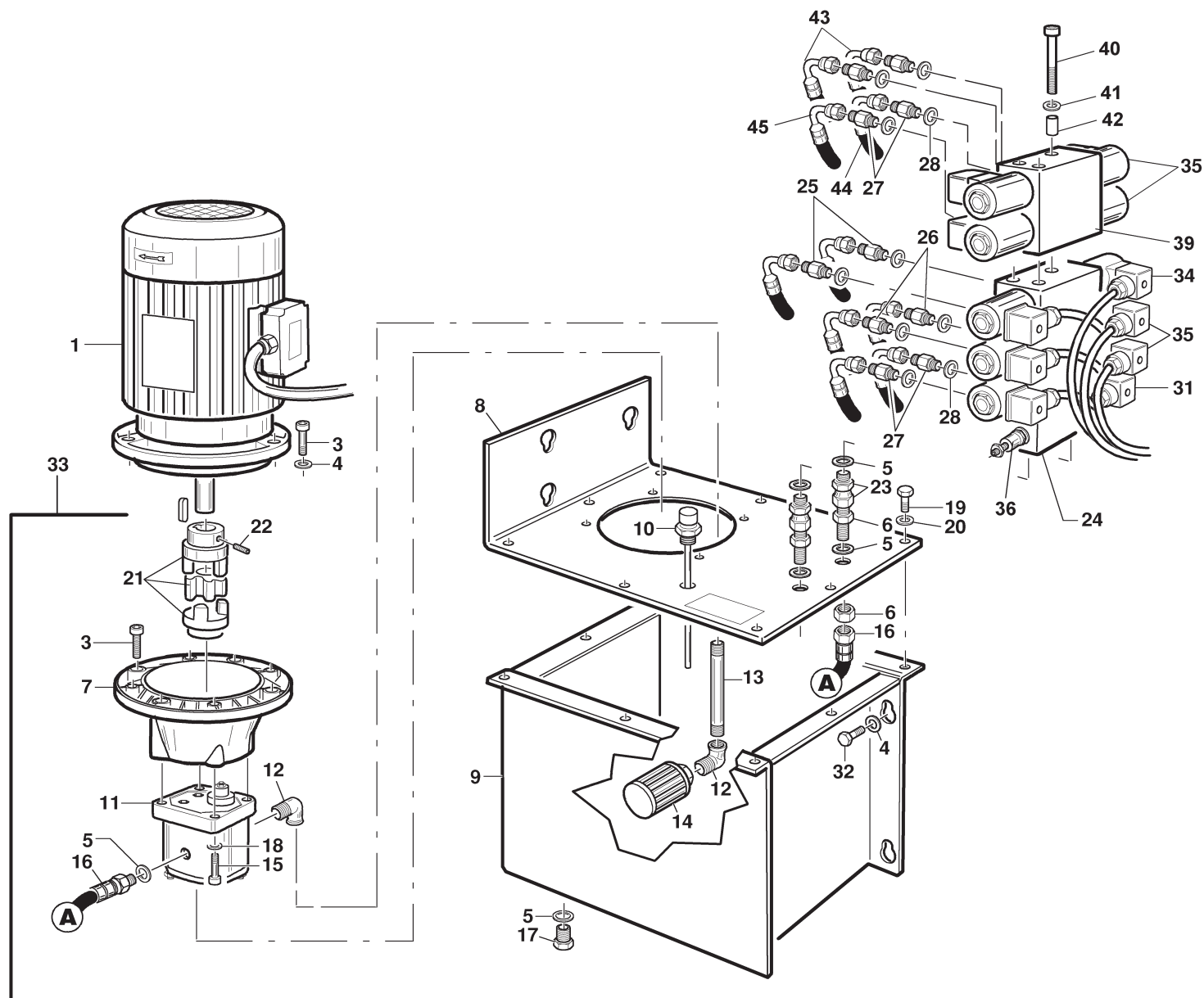
TAV. 2.0

71	3010861	VITE SENZA FINE M3,5	VIS SANS FIN M3,5	WORM SCREW M3,5	SCHNECKE M3,5
72	4399287	LINGUETTA 7x8x30 (A) 6604	LANGUETTE REF. 8680	TAB 7x8x30	ZUNGE 7X8X30
73	3000999	DISTANZIALE D.25,1X35X58 ZNT B	ENTRETOISE REF. 8678	SPACER D.25,1x35x58	ABSTANDSSTUECK
74	4397046	VITESTEI 10x10 P.CONICA 5927	VIS M10x10	SCREW M10x10	SCHRAUBE M10x10
75	4299167	ANELLO DRS-2028	BAGUE	RING	RING DRS-2028
76	4197238	VALV.IDR. DI BLOCCO VBPSL 14	VANNE HYDR. DE BLOCAGE	HYDRAULIC STOP VALVE	HYDR. SPERRVENTIL
77	4396341	ROND.BOND 1/4"(13,5x21x12)	RONDELLE BOND 1/4"	BOND WASHER 1/4"	KUPFERSCHEIBE 1/4"
78	4199146	MANOMETRO 1/4" 250 BAR	MANOMETRE 1/4" 250 BAR	PRESSURE GAUGE 1/4" 250 BAR	MANOMETER 1/4" 250 BAR
79	4396424	VITE TCEI M10x60 8.8 PF	VIS M10x60 8.8	SCREW M10x60 - 8.8	SCHRAUBE M10x60 - 8.8
80	4398289	RONDELLA 18 (19x34x3) ZNT	RONDELLE 18 (19x34x3)	WASHER 18 (19x34x3)	BEILAGSSCHEIBE 18 (19x34x3)

CENTRALINA IDRAULICA - UNITE' HYDRAULIQUE - HYDRAULIC
POWER UNIT - HYDRAULISCHE EINHEIT

ED. 01/17

TAV. 3.0



**CENTRALINA IDRAULICA - UNITE' HYDRAULIQUE - HYDRAULIC
POWER UNIT - HYDRAULISCHE EINHEIT**

ED. 01/17

TAV. 3.0

1	4594305	MOT.3PH 200-240/345-415V.50/60HZ B5	MOTEUR 3PH 200-240/345-415V 50/60HZ	MOTOR 3PH 200-240/345-415V 50/60HZ	MOTOR 3PH 200-240/345-415V 50/60HZ
3	4399956	VITE TCEI M10x25 12.9 5931	VIS TCEI M10x25 12.9 5931	SCREW 10x25 12.9	SCHRAUBE 10x25 12.9
4	4399378	RONDELLA 10 (10,5x21x2)ZNT6592	RONDELLE D.10 (10,5x21x2)	WASHER D.10 (10,5x21x2)	SCHEIBE D.10 (10,5x21x2)
5	4198598	ROND. RAME RR 3/8" (17x23x1,5)	RONDELLE EN CUIVRE RR 3/8"	COPPER WASHER 3/8" 17x23x1,5	KUPFERSCHEIBE 3/8" (17x23x1,5)
6	4197600	PASSAPARETE DI CONG.3/8"BSP	RACCORD DE CONNEXION 3/8"	UNION 3/8"	VERBINDUNGSSTUECK 3/8"
7	4197872	LANTERNA GR.80 D.200 HL5L	BRIDE GR.80 D.200 HL5L	FLANGE GR.80 D.200 HL5L	FLANSCH GR.80 D.200 HL5L
8	6609758	COP.SERBAT.C.I.551 VERT.-NERO	COUV. RESERVOIR	TANK COVER	TANKDECKEL
9	6609757	SERBATOIO C.I. 551 VERT.-NERO	RESERVOIR	TANK	TANK
10	3010652	TAPPO LIVELLO OLIO 1/2"	BOUCHON NIVEAU HUILE 1/2"	OIL LEVEL PLUG	OELVERSCHRAUBUNG 1/2"
11	4197254	POMPA GR.1 4 LT. 00372908	POMPE GR.1 PLP10.5 00372908	PUMP GR.1 4 LT.	PUMPE GR.1 4 LT.
11/A	4193073	POMPA GR.1 5,8 cc/giro DX C.F3/8	POMPE	PUMP	PUMPE
12	4197240	RACC. 90' MF 3/8"	RACCORD 90' MF 3/8"	UNION 90' MF 3/8"	ANSCHLUSS 90' MF 3/8"
13	4197239	BARILOTTO OT Z 3/8"F L100 ZNT	RACCORD 3/8" L100	UNION 3/8" F L100	ANSCHLUSS 3/8"F L100
14	4197241	FILTRO OLIO n60 FAM.MS.B2.0	FILTRE HUILE	OIL FILTER	OELFILTER
15	4399299	VITE TCEI M 6x30 8.8 5931	VIS M6x30 8.8	SCREW 6x30 8.8	SCHRAUBE 6x30 8.8
16	3009760	TUBO 3/8" C.I. VERT. L=370	TUYAU 3/8" L=370	HOSE 3/8" L=370	SCHLAUCH 3/8" L=370
17	4196747	TAPPO 3/8"	BOUCHON 3/8"	CAP 3/8"	PFROPFEN 3/8"
18	4399998	RONDELLA 6 (6,4x12x1,6)ZNT6592	RONDELLE 6 (6,4x12x1,6)	WASHER 6 (6,4x12x1,6)	SCHEIBE 6 (6,4x12x1,6)
19	4399305	VITE TE 8x12 8.8 5739	VIS M8x12 - 8.8	SCREW M8x12 8.8	SCHRAUBE 8x12 8.8
20	4399829	RONDELLA 8 (8,4x16x1,5)ZNT6592	RONDELLE 8 (8,4X16X1,5)	WASHER 8 (8,4x16x1,5)	SCHEIBE 8 (8,4x16x1,5)
21	4197873	GIUNTO ELASTICO HE41	JOINT ELASTIQUE HE41	FLEXIBLE COUPLING	FEDERDICHTUNG
22	4399121	VITE STEI 6x6 P.P. 5923	VIS 6x6	SCREW 6x6	SCHRAUBE 6X6
23	4197621	GIUNZIONE ORIENT.M.F.60001 3/8	JOINT TORIQUE 45' FF 3/8"	O-RING 45' FF 3/8"	VERBINDUNG
24	2012881	BASE MULTIPLA + ELETTROVALV.	BASE MULTIPLE + ELECTROVANNE	MULTIPLE BASE + SOLENOID VALVE	GRUNDLAGE + MAGNETVENT
25	3004989	NIPPLO MM 1/4" -h.18 mm.	NIPPLE MM 1/4" - H.18 mm.	NIPPLE MM 1/4" H.18mm.	NIPPEL MM 1/4" - H.18 mm.
26	3001372	NIPPLES MM 1/4"- h.12mm	NIPPLE MM 1/4"	NIPPLE 1/4" H.12mm.	NIPPEL 1/4" - H.12mm.
27	4199257	NIPPLO MM. 1/4"- h.7 mm.	NIPPLE MM. 1/4"	NIPPLE MM.1/4" H=7,5 mm.	NIPPEL 1/4" - H.7mm.
28	4399256	ROND. RAME 1/4" (13x19x1,5)	RONDELLE 1/4" D.13x19x1,5	WASHER 1/4" D.13x19x1,5	KUPFERSCHEIBE 1/4" D.13x19x1,5
31	4197106	ELETTROVALV. SEMPLICE SCARICO	ELECTROV. SIMPLE DECHARGE	RELIEF SIMPLE SOLENOID VALVE	ABLASSMAGNETVENTIL
32	4399953	VITE TE 10x16 8.8 5739	VIS M10x16 8.8	SCREW M10x16 8.8	SCHRAUBE M10x16 8.8
33	2019088	GR.CENTRALINA IDR. S551 XLA	GR. CENTRAL HYDRAULIQUE	HYDRAULIC UNIT	HYDRAULISCHE EINHEIT
34	4196318	ELETTROV.4V-3P-MS-7/8" DOPPIA AUTOC.	ELECTROVALVE	SOLENOID VALVE	MAGNETVENTIL
35	4196317	ELETTROV.4V-3P-CC-7/8" DOPPIA CIL.	ELECTROVALVE	SOLENOID VALVE	MAGNETVENTIL
36	4195385	VALVOLA DI MAX. BASE MULTIPLA T	CLAPET	VALVE	VENTIL

**CENTRALINA IDRAULICA - UNITE' HYDRAULIQUE - HYDRAULIC
POWER UNIT - HYDRAULISCHE EINHEIT**

ED. 01/17

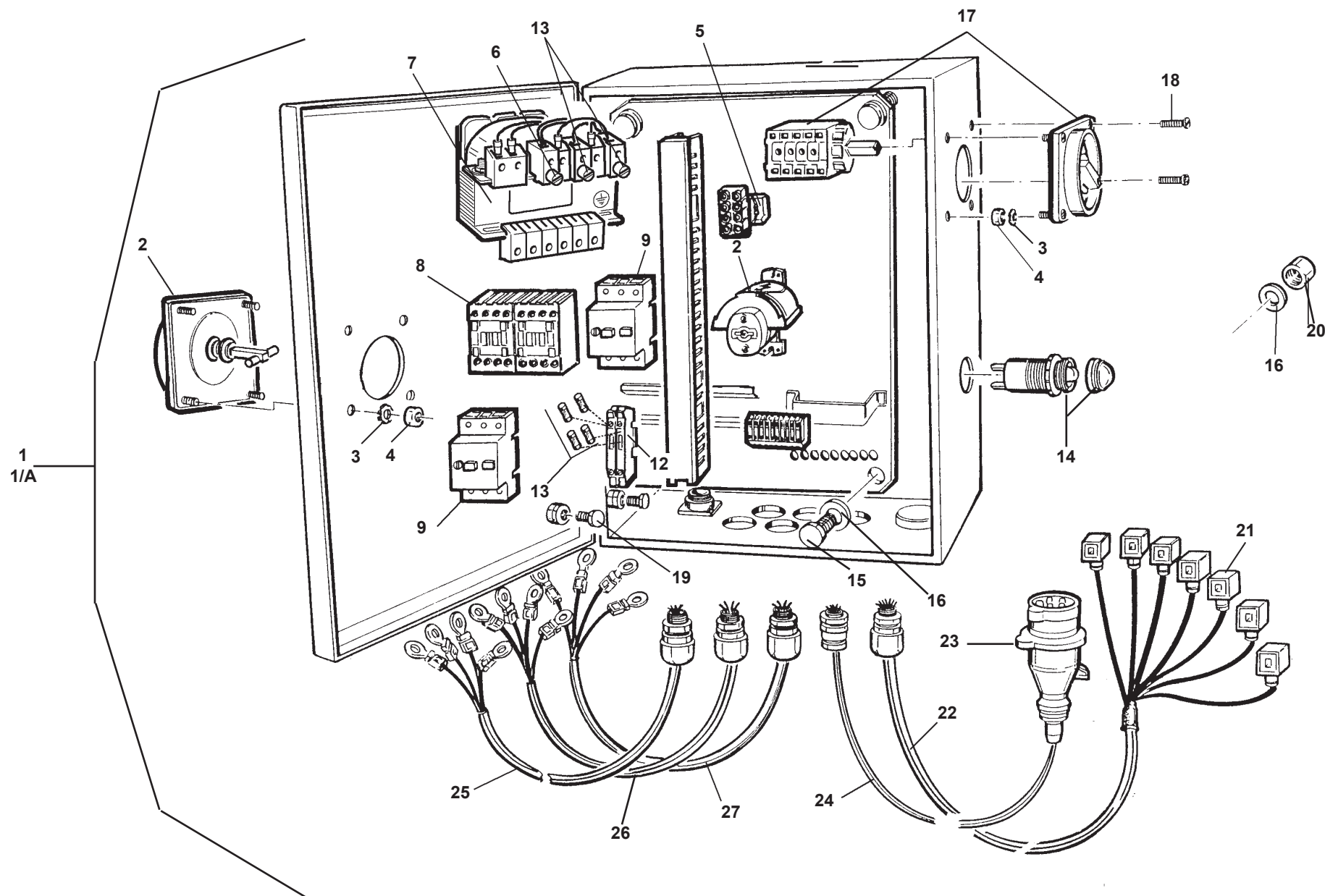
TAV. 3.0

37	4397680	RONDELLA 6 (6,6x18x3) ZNT	RONDELLE 6 (6,6x18x3)	WASHER 6 (6,6x18x3)	BEILAGSSCHEIBE 6 (6,6x18x3)
38	4398723	VITE TE 6x12 8.8 ZNT	VIS 6x12	SCREW 6x12	SCHRAUBE 6x12
39	4194250	BLOCCO IDRA. 4 VIE CENTRI CHIUSI	BLOC HYDRAULIQUE	HYDRAULIC BLOC	HYDRAULIKAGGREGAT
40	4397887	VITE TE 6x100 8.8 PF ZNT	VIS 6x100	SCREW 6x100	SCHRAUBE 6x100
41	4398848	RONDELLA 6 (6,6x18x1,5)ZNT	RONDELLE 6 (6,6x18x1,5)	WASHER 6 (6,6x18x1,5)	BEILAGSSCHEIBE 6 (6,6x18x1,5)
42	3019223	BOCCOLA X BLOCCO. IDRA. D.E.10 H.7	GOUPILLE POUR BLOC HYDR.	BUSH FOR HYDR. BLOCK	BUECHSE FUER HYDR. AGGREGAT
43	3010138	TUBO CILINDRO AUTOCENTR. 551V	TUYAU VERIN	CYLINDER HOSE	ZYLINDERSCHLAUCH
44	3010139	TUBO X CILINDRO CORTO 551V	TUYAU VERIN	CYLINDER HOSE	ZYLINDERSCHLAUCH
45	3019100	TUBO 3/16 X CILIND. ROTAZ.RIBALT. 90°	TUYAU VERIN 3/16	3/16 CYLINDER PIPE	3/16 ZYLINDERROHR

QUADRO ELETTRICO - PANNEAU ELECTRIQUE -
ELECTRIC PANEL - ELEKTRISCHE TAFEL

ED. 01/17

TAV. 4.0



**QUADRO ELETTRICO - PANNEAU ELECTRIQUE -
ELECTRIC PANEL - ELEKTRISCHE TAFEL**

ED. 01/17

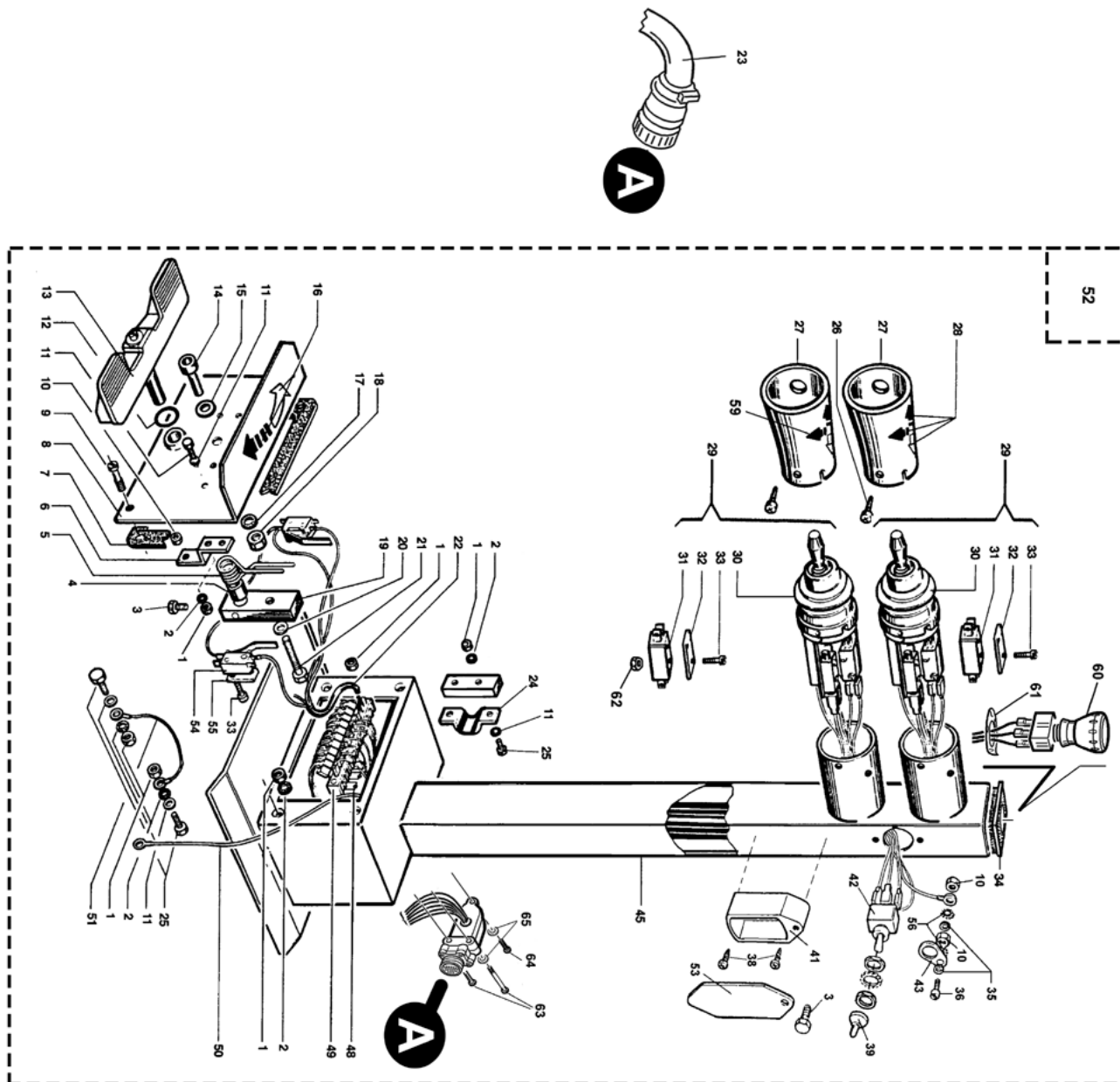
TAV. 4.0

Ref	Code	Descrizione	Description	Description	Beschreibung
1	2029951	CENTRAL.ELETTR. 3PH 50Hz CE	UNITE' ELECTR. 3PH 50HZ CE	ELECTR. UNIT 3PH 50HZ CE	ELEKTR. EINHEIT 3PH 50HZ CE
1A	2033503	CENTRAL.ELETTR. S551 XLA 60Hz	UNITE' ELECTR. S551 XLA 60Hz	ELECTRIC UNIT S551 XLA 60Hz	ELEKTR. EINHEIT S551 XLA 60Hz
2	4599153	INTERUTTORE CENTRALINA	INTERRUPTEUR	CONTROL UNIT SWITCH	SCHALTER
3	4399703	ROND. DEN.ES."A" 4,3x8x0,5	RONDELLE DENTEE 4,3x8x0,5	TOOTHED WASHER 4,3x8x0,5	ZAHNSCHEIBE 4,3X8X0,5
4	4399996	DADO M 4 6S ALTO ZNT 5587	ECROU M4 6S	NUT M4 6S	MUTTER M4 6S
5	4596647	PONTE A DIODI	PONT A" DIODES	DIODE BRIDGE	DIODENBRUECKE
6	4597707	FUSIBILE 3,15A 5X20 F 250V.	FUSIBLE 3,15A 5x20 F 250V	FUSE 3,15A 5x20 F 250V.	SCHMELZSICHERUNG 5x20 3,15A
7	4595407	TRASFORMATORE 558/560	TRANSFORMATEUR	TRANSFORMER	TRANSFORMATOR
8	4599148	TELERUTTORE ABC09 01 - L BF09 01A	TELERUPTEUR	ELECTROMAGNETIC SWITCH	FERNSCHALTER
9	4592912	SALVAMOTORE 6,3-10A	PROTEGE-MOTEUR 6,3-10A	MOTOR OVERLOAD CUTOOUT 6,3-10A	MOTOR-UEBERLASTSCHALTER
9/A	4597932	SALVAMOTORE S.551 10-16A LMS25	DISJONCTEUR 10-16A	OVERLOAD CUTOOUT 10-16A	UEBERLASTSCHALTER 10-16A
12	4597985	PORTAFUSIBILE A CASS. 551	BOITE A FUSIBLES	FUSE-HOLDER	SICHERUNGSKOERPER
13	4597984	FUSIBILE 1 A 5X20 T 250V.	FUSIBLE 1 A 5X20 T 250V.	FUSE 1 A 5x20 T 250V.	SCHMELZSICHERUNG 5x20 1A
14	4599160	SPIA BIANCA COMPL.	LAMPE TEMOIN - BLANCHE	PILOT LAMP	KONTROLLEUCHTE
15	4399305	VITE TE 8x12 8.8 5739	VIS M8x12 - 8.8	SCREW M8x12 8.8	SCHRAUBE 8x12 8.8
16	4399829	RONDELLA 8 (8,4x16x1,5)ZNT6592	RONDELLE 8 (8,4X16X1,5)	WASHER 8 (8,4x16x1,5)	SCHEIBE 8 (8,4x16x1,5)
17	4597897	COMMUTATORE DI POLARITA' S.551	COMMUTATEUR POLARITE' S.551	POLE CHANGE SWITCH	POLUMSCHALTER
18	4399092	VITE TSC 4x12 4.8 6110	VIS M4x12 8.8	SCREW 4x12 4.8	SCHRAUBE 4x12 4.8
19	4399299	VITE TCEI M 6x30 8.8 5931	VIS M6x30 8.8	SCREW 6x30 8.8	SCHRAUBE 6x30 8.8
20	4399976	DADO M 8 6S ZNT 5588	ECROU M8	NUT M8	MUTTER M8
21	4599166	CONNETTORE NORMALE - PG9	CONNECTEUR	CONNECTOR	VERBINDER
22	2001285	CABLAGGIO CAVI ELETTROVALVOLE	CABLAGE SOUPAPES ELECTRIQUES	HARNESS	KABELVERBINDUNG
23	4598058	SPINA EL.3PH 16A CEE 5 POLI	GOUPILLE 3PH 16A	ELECTRICAL PLUG 3PH 16A	STECKER 3PH 16A 5-POLE
24	2000519	CAVO ALIMENTAZIONE TRIFASE	CABLE D'ALIMENTATION 3 PH	3 PHASE LEAD CABLE	DREIPHASIGER SPEISEKABEL
25	2001287	CABLAGGIO CAVI 2^VEL.AUTOCENTR	CABLAGE 2.ME VITESSE	HARNESS	KABELVERBINDUNG
26	2001286	CABLAGGIO CAVI 1^VEL.AUTOCENTR	CABLAGE 1.ERE VITESSE	HARNESS	KABELVERBINDUNG
27	2001284	CABLAGGIO C.MOTORE CENTRALINA	CABLAGE DE CONNECTION	HARNESS	KABELVERBINDUNG

PEDALIERA - COMMANDE A PEDALE -
 PEDAL CONTROL - PEDALSTEUEREINHEIT

ED. 01/17

TAV. 5.0



**PEDALIERA - COMMANDE A PEDALE -
PEDAL CONTROL - PEDALSTEUEREINHEIT**

ED. 01/17

TAV. 5.0

Ref	Code	Descrizione	Description	Description	Beschreibung
1	4399996	DADO M 4 6S ALTO ZNT 5587	ECROU M4 6S	NUT M4 6S	MUTTER M4 6S
2	4399703	ROND. DEN.ES."A" 4,3x8x0,5	RONDELLE DENTEE 4,3x8x0,5	TOOTHED WASHER 4,3x8x0,5	ZAHNSCHEIBE 4,3X8X0,5
3	4399229	VITE TE 6x10 8.8 5739	VIS	SCREW 6x10 8.8	SCHRAUBE 6x10 8.8
4	3001135	DISTANZIALE PER PEDALE	ENTRETOISE POUR PEDALE	SPACER	ABSTANDSSTUECK
5	3007133	MOLLA COMANDO PEDALE	RESSORT COMMANDE PEDALE	PEDAL CONTROL SPRING	FEDER
6	3001143	SQUADRETTA PER MICROINTERRUTT.	PLAQUETTE POUR MICROINTERRUPT.	KEEP PLATE	KLEMMPLATTE
7	3001138	GUARNIZIONE PER SCATOLA	GARNITURE POUR BOITE	GASKET	DICHTUNG
8	6600977	COPERCHIO SCATOLA-NERO	COUVERCLE BOITE	BOX CAP	DECKEL
9	4399222	VITE IMPERITURA M 4x14	VIS M4x14	SCREW M4x14	SCHNECKE M4x14
10	4399127	DADO M 3 6S ZNT 5588	ECROU M3	NUT M3 6S	MUTTER M 3 6S
11	4399903	RONDELLA 4 (4,5x12x1,5)ZNT6593	RONDELLE 4 (4,5x12x1,5)	WASHER 4 (4,5x12x1,5)	SCHEIBE 4 (4,5x12x1,5)
12	4299223	ANELLO OR 3056 D.13,94X2,62	BAGUE OR 3056 - D.13,94x2,62	O-RING 13,94x2,62	O-RING 3056 - D.13,94X2,62
13	2401100	PEDALE A BILANCIERE C.	PEDALE A' BALANCIER	PEDAL	PEDAL
14	4399954	VITE TCEI M 8x20 8.8 5931	VIS M8x20 8.8	SCREW M8x20 - 8.8	SCHRAUBE M8x20 -8.8-
15	4399829	RONDELLA 8 (8,4x16x1,5)ZNT6592	RONDELLE 8 (8,4X16X1,5)	WASHER 8 (8,4x16x1,5)	SCHEIBE 8 (8,4x16x1,5)
16	3000961	DECALCOMANIA FRECCHE ROTATORIE	DECALCOMANIE	STICKER	ABZIEHBILD
17	4399122	ROND. DEN.ES."A" 8,4x15x0,8	RONDELLE D.8	TOOTHED WASHER 8,4x15x0,8	ZAHNSCHEIBE 8,4x15x0,8
18	4399976	DADO M 8 6S ZNT 5588	ECROU M8	NUT M8	MUTTER M8
19	3001131	LEVA COMANDO MICRO	LEVIER COMMANDE MICRO	MICROSWITCH CONTROL LEVER	STEUERUNGSHEBEL
20	4399998	RONDELLA 6 (6,4x12x1,6)ZNT6592	RONDELLE 6 (6,4x12x1,6)	WASHER 6 (6,4x12x1,6)	SCHEIBE 6 (6,4x12x1,6)
21	4399090	VITE TE 6x30 8.8 5739	VIS M6x30 - 8.8	SCREW M6x30 8.8	SCHRAUBE 6x30 8.8
22	2001301	CABLAGGIO CAVI COLLEG.MICRO	CABLAGE CONNEXION MICRO	HARNESS	KABELVERBINDUNG
23	2029956	CAVO PEDALIERA	CABLAGE PEDALIER	HARNESS	KABELVERBINDUNG
24	3001069	CAVALLOTTO D.19 ART. 5084	CRAMPILLON D.19	U-BOLT D.19	STUETZE
25	4399905	VITE TE 4x12 8.8 5739	VIS M4x12 - 8.8	SCREW M4x12 8.8	SCHRAUBE M4x12 8.8
26	4399995	VITE AUTOF. TSIC 3,5X13 6955	VIS AUTOTARADEUSE	SELF-TAPPING SCREW 3,5x13	BLECHSCHRAUBE 3,5x13
27	3001139	PROTEZIONE MANIPOLATORE	PROTECTION MANIPULATEUR	COVER	MANIPULATORSCHUTZ
28	3000962	DECALCOMANIA SIMBOLI	ETIQUETTE	STICKER	ABZIEHBILD
29	2001142	MANIPOLATORE	MANIPULATEUR	MANIPULATOR	MANIPULATOR
30	3001137	CUFFIA PER MANIPOLATORE	PROTECTION POUR MANIPULATEUR	GUARD	SCHUTZHAUBE
31	4599129	MICROINTERRUTTORE MANIPOLATORE	MICROINTERRUPTEUR MANIPULATEUR	MICROSWITCH	MIKROSCHALTER
32	4599128	PIASTRINA FISS.MICROINTERRUTT.	PLAQUE FIXAGE MICROINTERRUPT.	PLATE	KLEMMPLATTE
33	4399123	VITE TC 3x20 6107	VIS M3x20	SCREW 3x20	SCHRAUBE 3x20
34	3018175	TAPPO TERMINALE PEDALIERA	PROTECTION PEDALIER	PEDAL UNIT END COVER	ENDVERSCHLUSS

**PEDALIERA - COMMANDE A PEDALE -
PEDAL CONTROL - PEDALSTEUEREINHEIT**

ED. 01/17

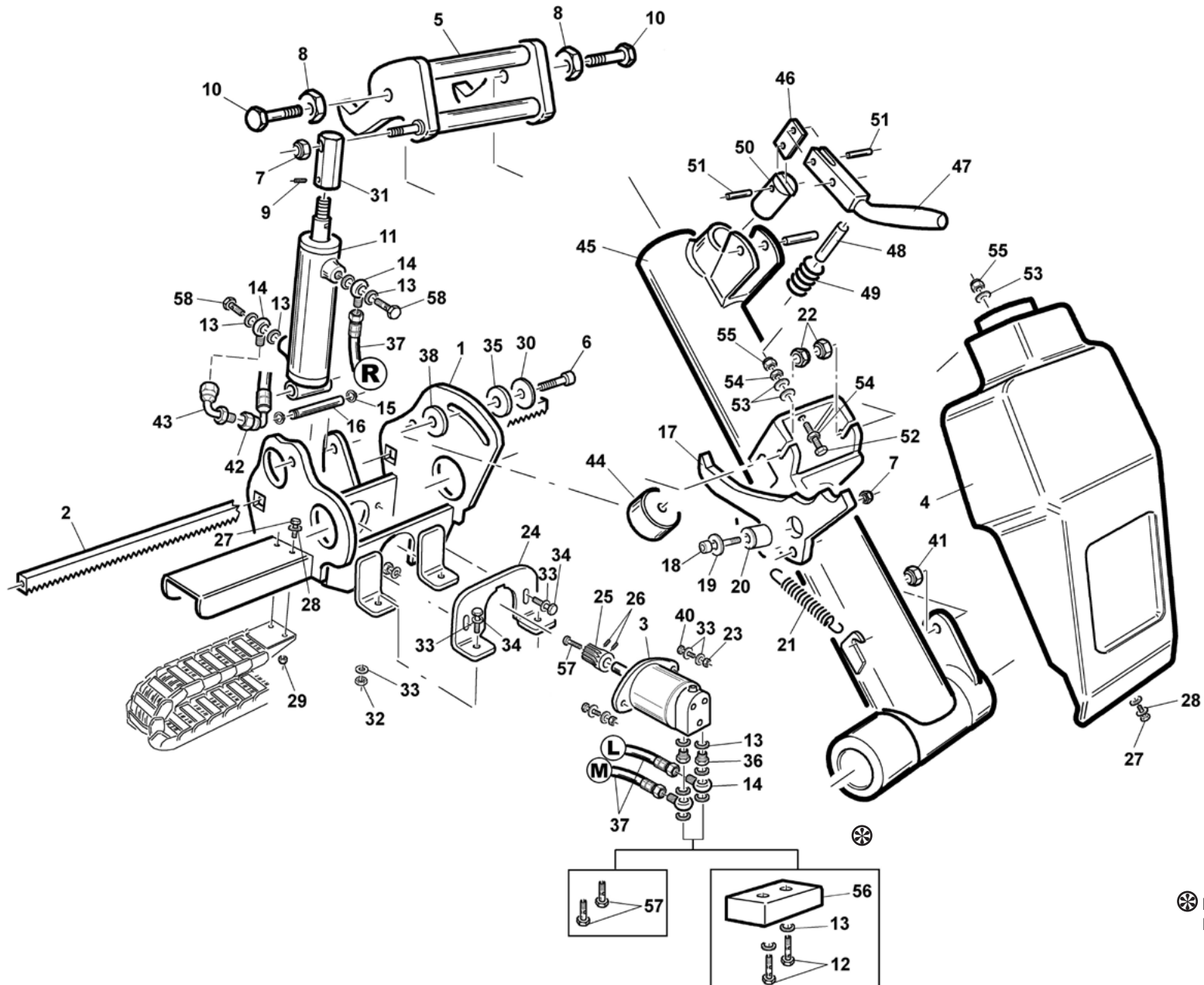
TAV. 5.0

35	4399126	RONDELLA 3 (3,2x7x0,5)ZNT 6592	RONDELLE D.3	WASHER 3,2x7x0,5	SCHEIBE 3 (3,2x7x0,5)
36	4399044	VITE TCEI 3x12 12.9 5931	VIS TCEI 3X12	SCREW 3x12	SCHRAUBE 3x12 12.19
37	3000964	DECALCOMANIA APERTURA MANDRINO	ETIQUETTE	STICKER	ABZIEHBILD
38	4399091	VITE AUTOF. TCI 3,5x13 6951	VIS AUTOTARADEUSE 3,5x13	SELF-TAPPING SCREW 3,5x13	BLECHSCHRAUBE 3,5x13
39	4599125	PROTEZIONE LEVETTA COMMUTATORE	PROTECTION LEVIER COMMUTATEUR	COVER	HEBELSCHUTZ
40	3000965	DECALCOMANIA CHIUSURA MANDRINO	ETIQUETTE	STICKER	ABZIEHBILD
41	3006791	SUPPORTO PLASTICA X INTERRUPT.	SUPPORT EN PLASTIQUE	SWITCH PLASTIC SUPPORT	UNTERLAGE
42	4599221	COMMUTATORE A LEVETTA	COMMUTATEUR A' LEVIER	LEVER SWITCH	HEBELUMSCHALTER
43	3005928	PIASTRINA X CAVO TERRA	PLAQUETTE POUR CABLE TERRE	GROUND CABLE PLATE	ERDKABELPLAETTCHEN
44	2001297	CABLAGGIO CAVI COMANDI MANUALI	CABLAGE COMMANDES A' MAIN	HARNESS	KABELVERBINDUNG
45	6606762	BASAMENTO PEDALIERA TN - NERA	LOGEMENT POUR PEDALIER	PEDAL UNIT BASE	PEDALEINHEITGRUNDLAGE
46	4399124	VITE TE 4x16 8.8 ZNT 5739	VIS M4x16 8.8	SCREW M4x16 8.8	SCHRAUBE 4x16 8.8
47	4399860	VITE TE 4x40 8.8 P.F. 5737	VIS M4x40 - 8.8	SCREW M4x40 - 8.8	SCHRAUBE M4x40 - 8.8
48	4599157	DIODO A VALANGA	DIODE	DIODE	DIODE
49	4591751	MORSETTIERA CON DIODI	BOITE A' BORNES	TERMINAL BOARD	KLEMMKASTEN
50	2001299	CAVO LUNGO PRESA TERRA PEDAL.	CABLE DE TERRE	CABLE	MASSEKABEL
51	2001300	CAVO CORTO PRESA TERRA PEDAL.	CABLE DE TERRE	CABLE	MASSEKABEL
52	2018930	PEDALIERA COMANDO CE - NERA	PEDALES DE DIR.COMANDE CE NOIR	PEDAL CONTROL UNIT	PEDALEINHEIT
53	3005718	COP.X PROTEZ. INTERRUETTORE	PROTECTION INTERRUPTEUR	SWITCH COVER	SCHALTERSCHUTZ
54	4599219	MICROINTERRUPTORE PEDALIERA	MICROINTERRUPTEUR PEDALIER	MICROSWITCH	MIKROSCHALTER
55	4599128	PIASTRINA FISS.MICROINTERRUPT.	PLAQUE FIXAGE MICROINTERRUPT.	PLATE	KLEMMPLATTE
56	4399045	ROND. DEN.ES.IN. 3,2x12x0,5	RONDELLE 3,2x12x0,5	TOOTHED WASHER 3,2x12x0,5	ZAHNSCHEIBE 3,2x12x0,5
57	4594928	FUNGO EMERGENZA D.40 "800FP-MT44"	BOUTON ARRET D'URGENCE D.40	EMERGENCY STOP BUTTON D.40	NOTSPERRTASTE D.40
58	3018179	DECALCO FUNGO EMERGENZA	ETIQUETTE	STICKER	ABZIEHBILD
59	3018044	DECALCO MANIPOLATORE	ETIQUETTE	STICKER	ABZIEHBILD
60	2018297	GR.FUNGO DI EMERGENZA	EMERGENCY STOP BUTTON	BOUTON ARRET D'URGENCE	NOTFALLSPERRKNOPF
61	3018179	DECALCO FUNGO EMERGENZA	EMERGENCY STOP BUTTON STICKER	AUTOC.BOUTON ARRET D'URGENCE	NOTSPERRKNOPF-KLEBER
62	3030644	DISTANZIALE X FASCETTA 60X20	ENTRETOISE	SPACER FOR CLAMP 60X20	ABSTANDSSTUECK
63	4399860	VITE TE 4x40 8.8 PF ZNT 5737	SCREW 4x40	VIS 4x40	SCHRAUBE 4x40
64	4399124	VITE TE 4x16 8.8 ZNT 5739	SCREW 4x16	VIS 4x16	SCHRAUBE 4x16
65	4399903	RONDELLA 4 (4,5x12x1,5)ZNT6593	WASHER 4 (4,5x12x1,5)	RONDELLE 4 (4,5x12x1,5)	BEILAGSSCHEIBE 4 (4,5x12x1,5)

CARRELLO BRACCIO UTENSILE - TOOL ARM SADDLE - CHARIOT
BRAS OUTIL - WERKZEUGARMSCHLITTEN

ED. 01/17

TAV. 6.0



⊗ Da 09/2009
 From 09/2009

**CARRELLO BRACCIO UTENSILE - TOOL ARM SADDLE - CHARIOT
BRAS OUTIL - WERKZEUGARMSCHLITTEN**

ED. 01/17

TAV. 6.0

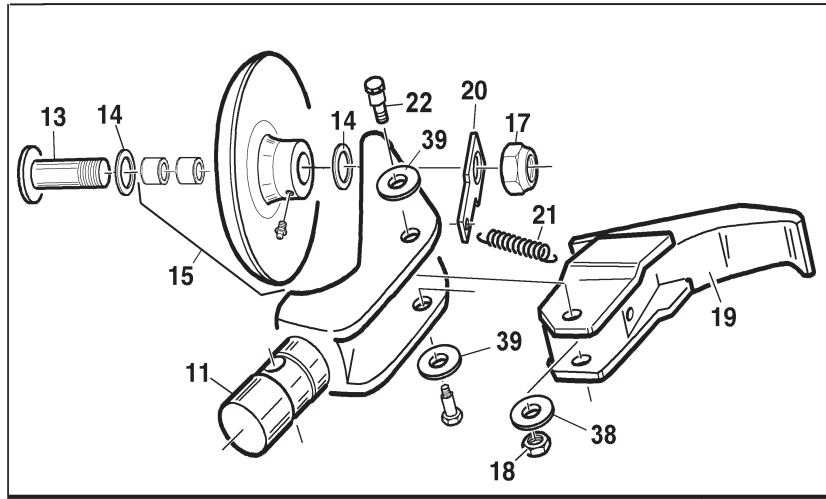
Ref Code	Descrizione	Description	Description	Beschreibung
1	2117190 SLITTA BRACCIO UTENSILE-BRUN.	ARM TROLLEY	CHARIOT DE BRAS	ARMSCHLITTEN
2	3017146 CREMAGLIERA 20x20 MOD.2 L=1085	RACKS 20x20 MOD.2 L=1085	CREMAILLERE 20x20 MOD.2 L=1085	ZAHNSTANGE 20x20 MOD.2 L=1085
3	4194968 MOTORE IDR OM 50 C-S-F	HYDR. MOTOR OM 50 C-S-F (OMM)	MOTEUR HYDR. OM 50 C-S-F (OMM)	HYDR. MOTOR OM 50 C-S-F (OMM)
4	3019023 CARENATURA BRACCIO UTENSILE	ABS PANEL	PANNEAU EN ABS	ABS PANEEL
5	2118387 GANCIO DOPPIO COMPLETO -BRUNITO	ARM HOOK	CROCHET	ARMHAKEN
6	4393786 VITE TCEI M12x55 8.8 ZNT	SCREW TCEI M12x55 8.8 ZNT	VIS TCEI M12x55 8.8 ZNT	SCHRAUBE TCEI M12x55 8.8 ZNT
7	4399865 DADO AUTOBL.M12 BASSO	SELF-LOCKING NUT M12	ECROU DE VERROUILLAGE M12	SELBSTSICHERNDE MUTTER M12
8	3001031 ECCENTRICO CRICCHETTO	CAM	CAME	NOCKEN
9	4399121 VITE STEI 6x6 P.P.	SCREW 6x6	VIS 6x6	SCHRAUBE 6x6
10	4397334 VITE TE 18x65 8.8	SCREW 18x65	VIS 18x65	SCHRAUBE 18x65
11	6617456 CILINDRO AGGANCIO UTENSILE-NERO	TOOL HOOKING CYLINDER	VERIN ACCROCHAGE OUTIL	WERKZEUGVERBINDUNGSZYLINDER
12	4197231 BULLONE RACC. 1/4" DOPPIO	DRILLED UNION BOLT 1/4"	BOULON RACCORD PERCE" 1/4"	LOCHVERSCHRAUBUNG 1/4"
13	4399256 ROND. RAME 1/4" (13x19x1,5)	COPPER WASHER 1/4" D.13x19x1,5	RONDELLE EN CUIVRE 1/4" D.13x19x1,5	KUPFERSCHEIBE 1/4" D.13x19x1,5
14	4197297 RACCORDO OCCHIO 1/4"-1/4"	UNION 1/4"	RACCORD 1/4"	ANSCHLUSS 1/4"
15	4398686 ANELLO SEEGER E D.16	SEEGER RING D.16	BAGUE SEEGER D.16	SEEGER RING D.16
16	3017955 PERNO AGG. CIL.SLITTA D16 L85	CYLINDER PIN D16 L85	AXE VERIN D16 L85	ZYLINDERSTIFT D16 L85
17	3017587 LEVA BRACCIO UT.-ZNT	ARM LEVER	LEVIER	ARMHEBEL
18	4399955 VITE TCEI M12x40 12.9 TF	SCREW 12x40	VIS 12x40	SCHRAUBE 12x40
19	4399981 RONDELLA 12 (13x24x2,5)	WASHER 12 (13x24x2,5)	RONDELLE 12 (13x24x2,5)	BEILAGSSCHEIBE 12 (13x24x2,5)
20	3000117 BOCCOLA CILINDRO STALL. 12x16x13	BUSH	DOUILLE	BUCHSE
21	3000114 MOLLA BRACCIO STALLONATORE	ARM SPRING	RESSORT BRAS DECOLLEUR	ARMFEDER
22	4398725 DADO AUTOBL.MA18 ALTO	SELF-LOCKING NUT M18	ECROU DE VERROUILLAGE M18	SELBSTSICHERNDE MUTTER M18
23	4399976 DADO M 8 6S	NUT M8	ECROU M8	MUTTER M8
24	6617981 STAFFA SUPERIORE -NERA	UPPER SUPPORT PLATE	PLAQUE SUPPORT SUPERIEURE	OBERSTUETZPLATTE
25	3017145 INGRANAGGIO TRASLAZIONE UT.	GEAR	ENGRAINAGE	GETRIEBE
26	4394632 VITE STEI 5x10	SCREW STEI 5x10 P.P.	VIS STEI 5x10 P.P.	SCHRAUBE STEI 5x10 P.P.
27	4398723 VITE TE 6x12 8.8 ZNT	SCREW 6x12	VIS 6x12	SCHRAUBE 6x12
28	4399998 RONDELLA 6 (6,4x12x1,6)	WASHER 6 (6,4x12x1,6)	RONDELLE 6 (6,4x12x1,6)	BEILAGSSCHEIBE 6 (6,4x12x1,6)
29	4399889 DADO M 6 6S	NUT M6	ECROU M6	MUTTER M6
30	3001067 RONDELLA FERMO ASTA E PERNO	WASHER	RONDELLE	BEILAGSSCHEIBE
31	3017588 TERMINALE ASTA CILINDRO -BRUNITA	CYLINDER SHAFT TOP END	CYLINDER SHAFT TOP END	ZYLINDERWELLEVERSCHLUSS
32	4399900 DADO AUTOBL.M 8 BASSO	SELF-LOCKING NUT M8	ECROU DE VERROUILLAGE M8	SELBSTSPERRENDE MUTTER M8
33	4399829 RONDELLA 8 (8,4x16x1,5)	WASHER 8 (8,4x16x1,5)	RONDELLE 8 (8,4X16X1,5)	BEILAGSSCHEIBE 8 (8,4x16x1,5)
34	4399901 VITE TE 8x30 8.8	SCREW 8x30	VIS 8x30	SCHRAUBE 8x30
35	3016903 ROND. ARNITE (12,5x50x5)	WASHER (12,5x50x5)	RONDELLE (12,5x50x5)	BEILAGSSCHEIBE (12,5x50x5)
36	4197186 RIDUZIONE IDR. M3/8"-F1/4"	HYDR. REDUCTION PIECE M3/8" F1/4"	REDUCTION HYDRAULIQUE M3/8" F1/4"	HYDR.UNTERSETZUNG M3/8" F1/4"

**CARRELLO BRACCIO UTENSILE - TOOL ARM SADDLE - CHARIOT
BRAS OUTIL - WERKZEUGARMSCHLITTEN**

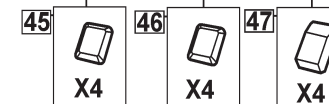
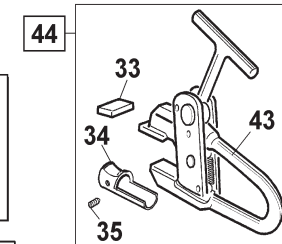
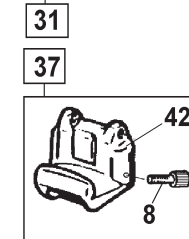
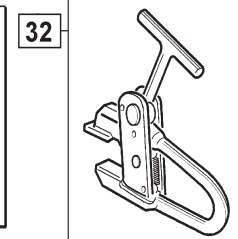
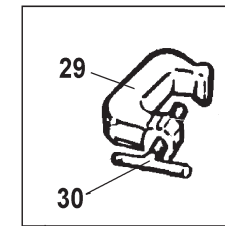
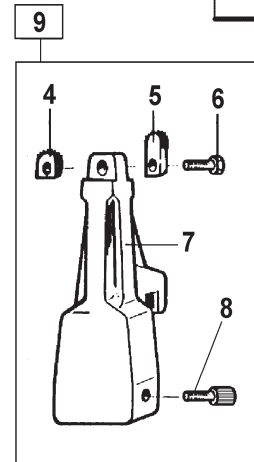
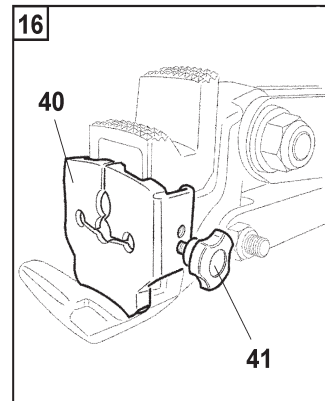
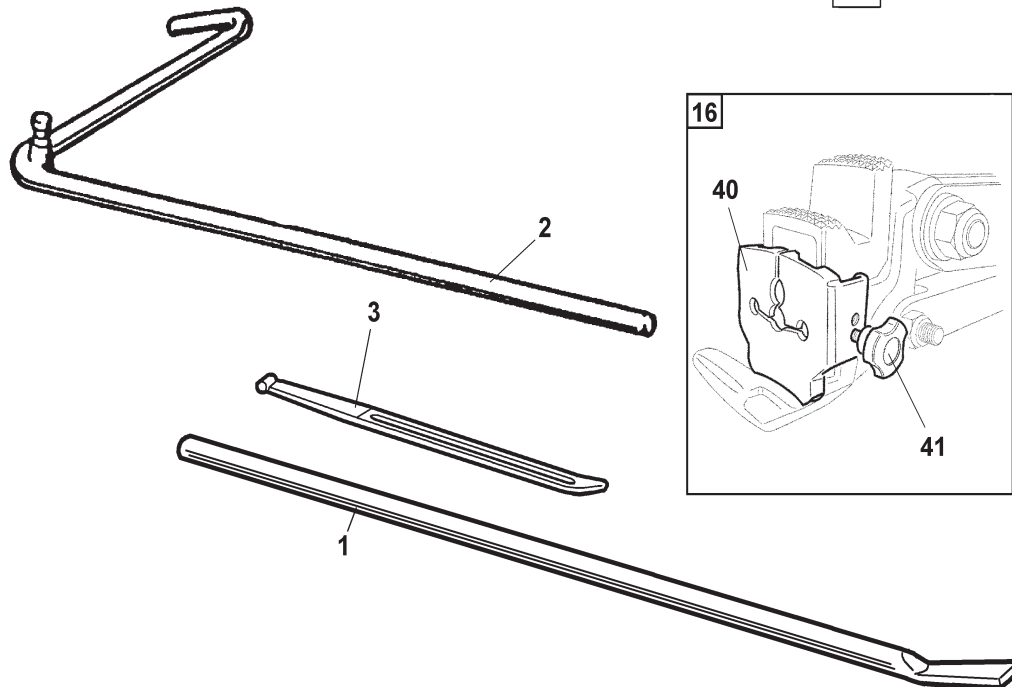
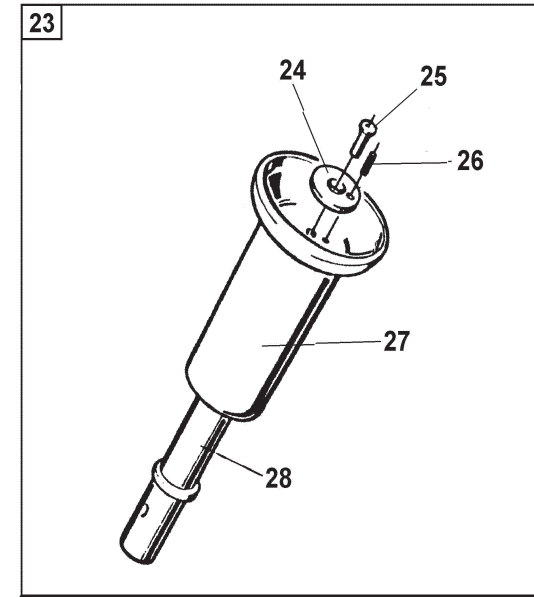
ED. 01/17

TAV. 6.0

Ref	Code	Descrizione	Description	Description	Beschreibung
37	3017574	TUBO 3/16 X CILINDRO ROTAZ.RIBALTAMENTO	3/16 PIPE TILTING ROTATION CYL.	TUYAU 3/16 VERIN ROTATION BASCUL.	3/16 ROHR KIPP-DREHUNGSZYLINDER
38	3017586	ROND. NYLON NERO (12,5x50x8)	NYLON WASHER	RONDELLE NYLON	NYLON BEILAGSSCHEIBE
40	4399935	VITE TE 8x25 8.8	SCREW 8X25	VIS 8x25	SCHRAUBE 8x25
41	4399829	RONDELLA 8 (8,4x16x1,5)	WASHER 8 (8,4x16x1,5)	RONDELLE 8 (8,4X16X1,5)	BEILAGSSCHEIBE 8 (8,4x16x1,5)
42	3019100	TUBO 3/16 X CILINDRO ROTAZ.RIBALT. 90°	3/16 PIPE TILTING ROTATION CYL.	TUYAU 3/16 VERIN ROTATION BASCUL.	3/16 ROHR KIPP-DREHUNGSZYLINDER
43	4198320	RACCORDO GIUM M/F C90 1/4"	UNION M/F 1/4"	RACCORD M/F 1/4"	ANSCHLUSS M/F 1/4"
44	3018128	TAPPO AMMORTIZZ. D.60 H.40	SHOCK ABSORBER CAP D.60 H.40	SHOCK ABSORBER CAP D.60 H.40	STOSSDAEMPFERPFROPFEN D.60 H.40
45	6618943	BRACCIO UTENSILE NERO	TOOL ARM	BRAS OUTIL	WERKZEUGARM
46	3001028	BIELLA CHIAVISTELLO-ZINC. B.	BIELLE POUR VERROU	CONNECTING ROD	PLEUELSTANGE
47	3001030	LEVA CHIAVISTELLO - ZINCATA	LEVIER POUR VERROU	LEVER	HEBEL
48	4399321	SPINA ELASTICA D.10x20 6874	GOUPILLE ELASTIQUE	ELASTIC PIN D.10x20	FEDERSTIFT D.10X20
49	3001040	MOLLA RICHIAMO CHIAVISTELLO	RESSORT RAPPEL VERROU	SPRING	RUECKZUGFEDER
50	3001029	CHIAVISTELLO	VERROU	SLIDING BOLT	RIEGEL
51	4399323	SPINA ELASTICA D.6x18 6874	GOUPILLE ELASTIQUE	SPRING PIN	FEDERSTIFT D.6X18
52	4398030	VITE TE 10x50 8.8	VIS 10x50	SCREW 10x50	SCHRAUBE 10x50
53	4395669	RONDELLA 10 (11x40x2,5)	RONDELLE 10 (11x40x2,5)	WASHER 10 (11x40x2,5)	BEILAGSSCHEIBE 10 (11x40x2,5)
54	4399967	DADO M10 6S BASSO ZNT	ECROU M10	NUT M10	MUTTER M10
55	4399971	DADO AUTOBL.M10 BASSO	ECROU DE VERROUILLAGE M10	SELF-LOCKING NUT M10	SELBSTSICHERNDE MUTTER M10
56	3031056	BLOCCHETTO IDR. REGOLAZIONE PORTATA	BLOC HYDR. REGLAGE DEBIT	FLOW DELIVERY HYDR. BLOCK	OELDURCHFLUSSREGLER
57	4399868	VITE TCEI M 6x40 8.8 ZNT	VIS 6x40	SCREW 6x40	SCHRAUBE 6x40



10



ACCESSORI - ACCESSOIRES - ACCESSORIES - ZUBEHÖR

ED. 01/17

TAV. 7.0

1	6601002	LEVA ALZATALLONI SMTG CAMION	LEVIER DECOLLE-TALONS	LONG BEAD LIFTING LEVER	WULSTAUSDRUECKHEBEL
2	9299269	141/90 LEVA GUIDA TALLONI	141/90 LEVIER GUIDE TALLONS	141/90 BEAD GUIDE LEVER	141/90 WULSTFUSSFUEHRUNGSHEBEL
3	3001061	LEVA PER CERCHIETTI	LEVIER POUR TRINGLES	SHORT TYRE LEVER	HEBEL f. WULSTKERNE
4	3001315	GRIFFA A SETTORE	MORS A' SECTEUR	CLAMP	GREIFER
5	3001313	GRIFFA CON FERMO	MORS AVEC ARRET	CLAMP	KLAUE m. ANSCHLAG
6	4399089	VITE TE 12x40 8.8 5739	VIS	SCREW	SCHRAUBE TE M12X 40 8.8
7	3001314	PROLUNGA AUTOCENTRANTE	RALLONGE AUTOCENTREUR	EXTENSION	VERLAENGERUNG
8	3001384	VITE AD ALETTE M8 SPECIALE	VIS SPECIAL M8	SCREW	SONDERDAUMENSCHRAUBE M8
9	2001316	PROLUNGA AUTOCENTRANTE COMPL.	RALLONGE POUR AUTOCENTREUR	EXTENSION	SELBSTZENTR. VERLAENGERUNG
10	2010853	GR. UTENSILE DOPPIO GRANDE	OUTIL DOUBLE	DOUBLE HEAD TOOL GR.	DOPPELWERKZEUG
11	2110832	MONOSTAFFA GRANDE - BRUN.	SUPPORT	SUPPORT	STÜTZE
13	3010831	PERNO DISCO UT. DOPPIO-RETTIF.	AXE	PIN	STIFT
14	4396915	ANELLO COMPENSAZ. 41x52Ex0,5 (JOINT 41x52Ex0,5 (3)	RING 41x52Ex0,5 (3)	RING 41x52Ex0,5 (3)
15	2019101	GR. DISCO STALLONATORE S551-S560	DISQUE DECOLLE-TALONS	BEAD BREAKING DISK	WULSTABDRÜCKPLATTE
16	2033519	GR. DISTANZIALE SUPP. GRIFFA	CLAMP SPACER	ENTRETOISE POUR MORS	ABSTANDSSTÜCK FÜR KLAUE
17	4396916	DADO AUTOBL.M27x3 BASSO 7474	ECROU A'BL.AUT.M27X3 HAUT	SELF-LOCKING NUT 27x3	SELBSTBLOCKIERENDE MUTTER 27x3
18	4399295	DADO M16 6S BASSO ZNT 5589	ECROU	NUT	MUTTER
19	2110835	UTENSILE LUNGO - BRUN.	OUTIL LONG	LONG TOOL	WERKZEUG
20	3010841	GANCIO ATTACCO MOLLA- ZNT B.	CROCHET	SPRING CONNECTION	FEDERKUPPLUNGSHAKEN
21	3001266	MOLLA D.18 L=65	RESSORT	SPRING	FEDER D.18 L=65
22	3010837	PERNO FIL. PER UTENSILE-BRUNIT	AXE	PIN	STIFT
23	9299274	135/90 RULLO MONTAGG. TUBELESS	135/90 GALET POUR TUBELESS	135/90 TUBELESS ROLLER	135/90 TUBELESS MONTIERROLLE
24	3010654	RONDELLA RULLO PER TUBELESS	RONDELLE GALET TUBELESS	WASHER	SCHEIBE
25	4399119	SPINA ELASTICA D.6x10 6873	GOUPILLE ELASTIQUE D.6x10	SPRING PIN	SPANNSTIFT D 6X 10
26	4399120	VITE TSPEI M10x20 10.9 5933	VIS M10x20 10.9	SCREW TSPEI M10x20 10.9	SCHRAUBE TSPEI M10X 20 10.9
27	3001308	RULLO MONTAGGIO TUBELESS	GALET MONTAGE TUBELESS	ROLLER	MONTIERROLLE
28	3001309	STELO PER RULLO	TIGE POUR ROULEAU	SHAFT	STANGE
29	3001311	MORSETTO	BORNE	CLAMP	KLEMME
30	3001310	VITE PER MORSETTO	VIS POUR MORS	SCREW	SCHRAUBE f. KLEMME
29	3001311	MORSETTO	BORNE	CLAMP	KLEMME
30	3001310	VITE PER MORSETTO	VIS POUR MORS	SCREW	SCHRAUBE f. KLEMME
31	2001312	MORSETTO CON VITE COMPL.	ETAU AVEC VIS	CLAMP WITH SCREW	SCHRAUBKLOBEN
32	2001059	PINZA PER CERCHIONI	PINCE POUR JANTES	PLIER	ZANGE f. FELGEN
33	3001304	TASSELLO SUPERIORE PINZA	TASSEAU SUPERIEUR PINCE	BLOCK	OBERSCHUTZ f. GREIFER
34	3001303	MANICOTTO INFERIORE PINZA	MANCHON INFERIEUR PINCE	LOWER COUPLING	MUFFE
35	4399121	VITE STEI 6x6 P.P. 5923	VIS 6x6	SCREW 6x6	SCHRAUBE 6x6
36	9299271	138/90 PINZA X CERCHI IN LEGA	138/90 PINCE POUR JANTES EN	138/90 PLIERS FOR ALLOY RIMS	138/90 GREIFZANGE f. ALUFELGEN
37	2001302	GRIFFA PER CERCHI IN LEGA	MORS POUR JANTES EN ALLIAGE	CLAMP FOR ALLOY RIM	KLAUE f. ALU-FELGEN
38	4399974	RASAMENTO ACCIAIO 20,5X28X0,3	CALE EN ACIER 20,5x28x0,5	STEEL SHIM 20,5x28x0,5	STAHLZWISCHENLAGE 20,5x28x0,5
39	4399812	RASAMENTO ACCIAIO 25X35X0,3	CALE EN ACIER 25x35x0,3	STEEL SHIM 25x35x0,3	STAHLZWISCHENLAGE 25x35x0,3

ACCESSORI - ACCESSOIRES - ACCESSORIES - ZUBEHÖR

ED. 01/17

TAV. 7.0

40	7019167	DISTANZ.SUPP.GRIFFA COMPL.	CLAMP SUPPORT SPACER	ENTRETOISE SUPPORT DE MORS	KLAUESTÜTZABSTANDSSTÜCK
41	4294076	POMOLO THP 25 M.6x15 01THP25C15	BALL GRIP THP 25 M.6x15	POMMEAU THP 25 M.6x15	KUGELGRIFF THP 25 M.6x15
42	3033520	GRIFFA PER CERCHI IN LEGA	CLAMP FOR ALLOY RIMS	MORS POUR JANTES EN ALU	KLAUE FÜR ALU-FELGEN
43	2009782	PINZA BASE PER CERCHI IN LEGA	PLIER	PINCE	ZANGE
44	9299271	138/90 PINZA X CERCHI IN LEGA	138/90 PLIERS FOR ALLOY RIMS	138/90 PINCE POUR JANTES EN ALLAGE	138/90 GREIFZANGE f. ALUFELGEN LEGIERUNGREIFEN
45	9213747	SERIE 4 TASSELLI X GRIFFA H=6	KIT OF CLAMP PINS H=6 (4 PCS.)	JEU D'INSERTS POUR MORS H=6 4 PCS.	KLAUENSTIFTSATZ H=6 (4 STK.)
46	9213748	SERIE 4 TASSELLI X GRIFFA H=10	KIT OF CLAMP PINS H=10 (4 PCS.)	JEU D'INSERTS POUR MORS H=10 4 PCS.	KIT OF CLAMP PINS H=10 (4 PCS.)
47	9213749	SERIE 4 TASSELLI X GRIFFA H=13	KIT OF CLAMP PINS H=13 (4 PCS.)	JEU D'INSERTS POUR MORS H=13 4 PCS.	KLAUENSTIFTSATZ H=13 (4 STK.)